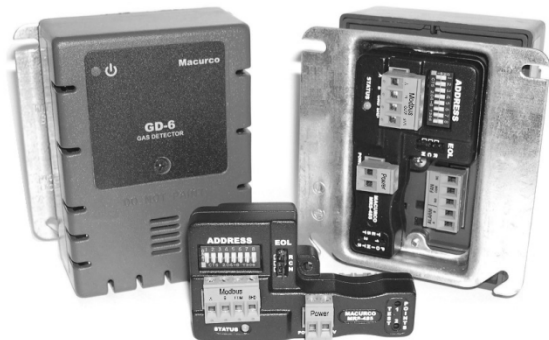


MACURCO

GAS DETECTION

Macurco™ Modbus® RS-485 Adapter MRS-485 User Instructions



IMPORTANT: Keep these User Instructions for reference

TABLE OF CONTENTS

GENERAL SAFETY INFORMATION	3
Intended Use	3
List of Warnings and Cautions	3
USE INSTRUCTIONS AND LIMITATIONS	3
Use For	3
Do Not Use For	3
General Description	4
Features	4
Specifications	4
INSTALLATION AND OPERATING INSTRUCTIONS	5
Location	5
Installation	5
Rear exploded view	5
Front exploded view	6
Connection	6
Wiring	7
Signal wire	7
Topology	7
Typical connection diagram	7
Length	8
Grounding	8
Power	8
DIP Switches and Addressing	8
DIP Switch Figure	8
Settings	9
Programming	9
Line Termination	10
MRS-485 Detail	10
Dip Switch setting Table	11
Power-Up	12
4-20mA Test Points	12
Operation	12
Normal Operation	12
On Board Diagnostics	13
Error Codes	13
DIP Switch Setting Codes	13
Testing	14
General	14
Operation Test	14
Manual Operation Test	14
MAINTENANCE	15
Cleaning	15
MACURCO GAS DETECTION PRODUCTS WARRANTY	16

GENERAL SAFETY INFORMATION

Intended Use

The Macurco MRS-485 adapter is an accessory used to convert the 4-20mA analog signal from Macurco 6-Series type detectors to a digital signal for use with multipoint addressable systems. The Macurco MRS-485 simply plugs into the back of the detector and a single screw fastens it in place. The MRS-485 accepts the 4-20mA output and is powered from the same connection as the detector. The MRS-485 has the ability to interface with Building Automation Systems, Control Panels or other Control Devices that accept Modbus communications.

List of Warnings and Cautions within these User Instructions



- Each person using this equipment must read and understand the information in these User Instructions before use. Use of this equipment by untrained or unqualified persons, or use that is not in accordance with these User Instructions, may adversely affect product performance and **result in sickness or death.**
- This equipment may not function effectively below 0°F or above 125°F (-18°C or above 52°C). Using the detector outside of this temperature range may adversely affect product performance and **result in sickness or death.**
- Do not disassemble unit or attempt to repair or modify any component of this instrument. This instrument contains no user serviceable parts, and substitution of components may impair product performance and **result in sickness or death.**

USE INSTRUCTIONS AND LIMITATIONS



Each person using this equipment must read and understand the information in these User Instructions before use. Use of this equipment by untrained or unqualified persons, or use that is not in accordance with these User Instructions, may adversely affect product performance and **result in sickness or death.**

Use For

The Macurco MRS-485 Adapter converts the Macurco 6-Series 4-20mA analog output to a digital output for use with addressable network systems. The Macurco 6-Series is a family of fully programmable, low voltage, dual relay gas detectors, controllers and transducers for BAS, HVAC and Fire & Security applications. The 6-Series detectors are used to measure the concentration of various gas and provide feedback and automatic control to help ensure a safe environment: Carbon Monoxide, Methane, Propane, Hydrogen, Nitrogen Dioxide and other gases.

Do Not Use For

The MRS-485 is not intended for use in hazardous locations or industrial applications such as refineries, chemical plants, etc. Do not mount the MRS-485 where the normal ambient temperature is below 0°F or exceeds 125°F (-18°C or above 52°C). The MRS-485 mounts to a Macurco 6-Series detector installed on a 4" x 4" electrical box supplied by the contractor.



This equipment may not function effectively below 0°F or above 125°F (-18°C or above 52°C). Using the detector outside of this temperature range may adversely affect product performance and **result in sickness or death.**

General Description

The Macurco MRS-485 adapter is an accessory used to convert the 4-20mA analog signal from Macurco 6-Series type detectors to a digital signal for use with multipoint addressable systems. The Macurco MRS-485 simply plugs into the back of the detector and a single screw fastens it in place. The MRS-485 accepts the 4-20mA output and is powered from the same connection as the detector. The MRS-485 has the ability to interface with Building Automation Systems, Control Panels or other Control Devices that accept Modbus communications.

Features

- The Macurco MRS-485 interfaces the detector power and 4-20mA output lines with a mounted connector
- The MRS-485 monitors sensor type, gas level and trouble status communications from any of the Macurco 6-Series detectors
- Communication is on a MODBUS serial line with a "Two-Wire" electrical interface in accordance with EIA/TIA-485 standard using
- RTU transmission mode
- Commercial type enclosure to protect and support the electronics
- Tricolor LED indicates power, test and communication status
- Mounts behind the detector inside of a standard 4" x 4" electrical box
- Held in place on the back of the 6-Series detector with a single screw
- 8 bit dip switch address selector
- RS-485 termination uses 4 pin connector with jumper to select termination: The user selects no termination or one of the two
- Modbus line termination options
- Communications connections include signal (A and B), common and shield terminals
- Intended for use in non-hazardous areas such as parking garages, warehouses or other commercial facilities

Specifications

- Power & Current (with detector): 3.25W (max) from 12 to 24 VAC or VDC, 85mA in alarm, 60mA fan relay on and 33mA stand by @ 24 VDC
- Shipping Weight: 0.25 lb (0.11 kg)
- Size: 3 1/2 x 2 x 1 3/4 in. (8.9 X 5.1 X 4.4 cm)
- Operating Environment: 0°F to 125° F (-18°C to +52°C), 10 to 90% RH non-condensing
- Connections: plugs/terminals
- Color: Black
- Mounting screw and screwdriver included
- MRS-485 operates in the RTU Modbus Transmission Mode
- Baud Rate: 4800, 9600, 19200 (default), 38400, 57600, 115200 bps
- Parity: Odd, Even (default) and None

INSTALLATION AND OPERATING INSTRUCTIONS

The following instructions are intended to serve as a guideline for the use of the Macurco Modbus RS-485 Adapter MRS-485. It is not to be considered all-inclusive, nor is it intended to replace the policy and procedures for each facility. If you have any doubts about the applicability of the equipment to your situation, call Technical Service at 1-877-367-7891.

Location

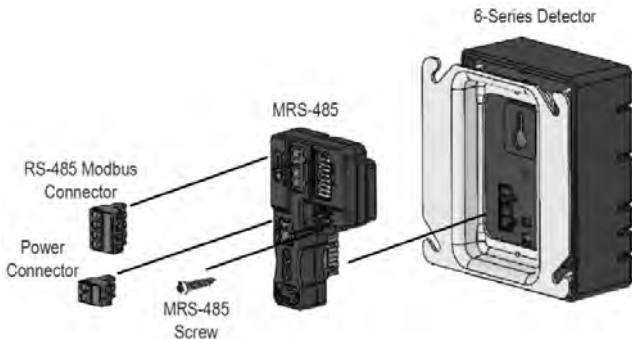
Refer to the user instructions of the specific Macurco 6-Series gas detector to which the MRS-485 will be connected.

Installation

Gas Detection

The Macurco MRS-485 Adapter converts the Macurco 6-Series 4-20mA analog output to a digital output for use with addressable network systems. The Macurco 6-Series is a family of fully programmable, low voltage, dual relay gas detectors, controllers and transducers for BAS, HVAC and Fire & Security applications. The 6-Series detectors are used to measure the concentration of various gas and provide feedback and automatic control to help ensure a safe environment: Carbon Monoxide, Methane, Propane, Hydrogen, Nitrogen Dioxide and other gases.

1. Remove the 4-20mA/Power plug from the Macurco 6-Series gas detector.
2. Plug the MRS-485 adapter into the empty socket.
3. Install the provided MRS-485 screw.
4. See the wiring diagram for wire connection.



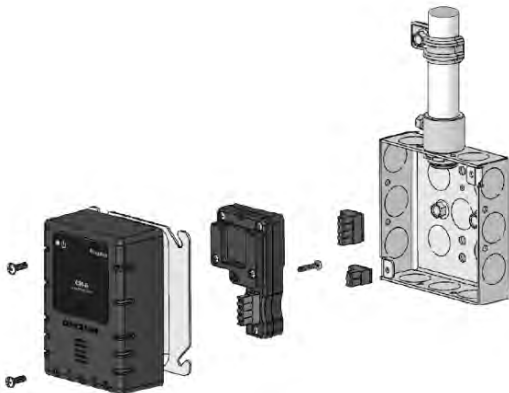
1. The 6-Series detector mounts on a 4"x 4" electrical box supplied by the contractor.
2. Connect the detector to the control cables with terminal plugs. When making connections, make sure the power is off.

- There are two terminals for the dry alarm relay contacts, again with no polarity preference. The alarm relay can switch up to 0.5 A 120 V, or 60 VA. The alarm relay is activated if gas reaches or exceeds the alarm settings. See OPERATION section of the detector User Instructions for details on relay settings.
- The alarm relay can be configured to normally open (default) (N.O.) or normally closed (N.C.) and will activate if the gas concentration exceeds alarm set point. It will deactivate once the gas concentration drops below the alarm set point. Note that the "disable" setting will cause the alarm relay not to engage at all.
- The dry contact, SPDT fan relay has three terminals. The common (COM.), normally open (N.O.) and the normally closed (N.C.) contact. The fan relay can switch up to 5.0 A up to 240 VAC. See detector OPERATION section of the detector User Instructions for details on relay settings.

Connection

The Macurco MRS-485 output is connected via a four terminal screw type connector. The MRS-485 adapter is wired in the standard 2W-Modbus circuits definition with selectable built-in terminating resistors at the ends of the RS-485 bus. The power for the MRS-485 adapter is connected via a two terminal screw type connector, 12 to 24 VAC or 12 to 24 VDC and no polarity.

Note: Running the Modbus cable adjacent to or in the same conduit with high voltage wires is not recommended as there may be interference from the high voltages. Line polarization should not be required for the MRS-485 but may be required for other devices on the RS485 line - see manufacturer's directions.



Wiring

Signal Wire

A MODBUS over Serial Line Cable should be shielded for best performance. The shield should be connected on each detector at SHD terminal and connected to a ground terminal or chassis only at one end of the bus. An RS485-MODBUS must use a balanced pair (for A-B) and a third wire (for the Common). For RS485-MODBUS, Wire Gauge must be chosen sufficiently wide to permit the maximum length (1000 m or 3281ft). AWG 24 is always sufficient for the MODBUS Data. Category 5 cables may operate for RS485-MODBUS, to a maximum length of 600 m 1968.5 ft. For the balanced pairs used in an RS485-system, wire with a characteristic impedance of higher than 100 Ohms may be preferred, especially for 19200 and higher baud rates.

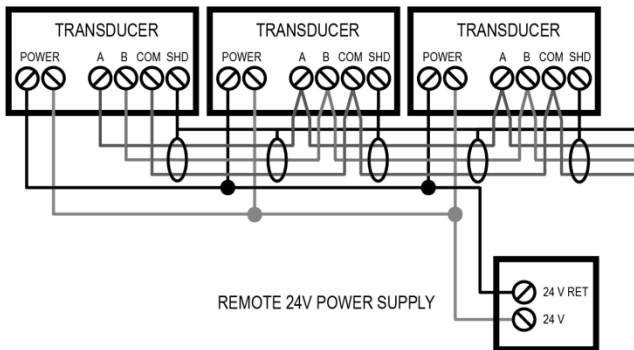
Note: It is recommended to always use twisted wires to reduce noise and allow for reliable data communication over greater distances. Use at least 3-conductor wire with one twisted pair providing a pair for signal (A & B) and common (COM) connections.

For best performance use shielded 3-conductor wire with one twisted pair providing a pair for signal (A & B), common (COM) and shield ground (SHD) connections.

Topology

An RS485-MODBUS configuration without repeater has one trunk cable, along which devices are connected, directly (daisy chaining) or by short derivation cables. The trunk cable, also named "Bus", can be long. Its two ends must be connected on Line Terminations. (see Line Termination - End of Line Resistor section). The use of repeaters between several RS485-MODBUS is also possible.

TYPICAL CONNECTION OF MRS-485



Length

The end to end length of the trunk cable must be limited. The maximum length depends on the baud rate, the cable (Gauge, Capacitance or Characteristic Impedance), the number of loads on the daisy chain, and the network configuration (2-wire). For a maximum 9600 Baud Rate and AWG26 (or wider) gauge, the maximum length is 1000m 3281ft. The derivations must be short, never more than 20m 65.5ft. If a multi-port tap is used with n derivations, each one must respect a maximum length of 40m 131ft divided by n.

Grounding

The Common circuit (COM) must be connected directly to protective ground, preferably at one point only for the entire bus.

Power Wire

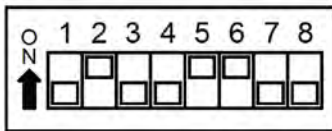
All field wiring is completed via modular connectors (provided). After wiring, simply plug the modular connectors into the matching connectors on the MRS-485. The power connections to the remote mounted detectors should be size AWG18 (minimum) for short runs. Since Macurco detectors are rated for operation between 12 and 24 VDC or VAC, the voltage drop between the power supply and the MRS-485 should not be an issue if the recommended power wire gauge guidelines below are followed. The terminals will accept wire from 16 to 28 AWG. To install a wire, strip back approximately 0.25 in. (6 mm) of insulation, and insert the bare wire into the terminal. Tighten the screw clamp and ensure that the wire cannot be easily pulled from the connector.

Maximum Run Length

<u>Wire gauge</u>	<u>feet</u>	<u>meters</u>
18	500	152
16	800	244
14	1250	381

DIP Switches and Addressing

Each MRS-485 (and the partner gas detector) must be configured to a unique address. If there are 10 detectors on the serial line, then 10 unique addresses must be used, one for each detector. To set the address use the eight DIP switch positions. For each unit choose the value from 1 to 247 (see chart) and set the eight switches to match the address. **UP means ON or 1** and **DOWN means OFF or 0**. For example, to configure a unit as address "50", set switches "2, 5, 6" (see table) to ON or in the up position (01001100). See page 11 for a list of applicable addresses and dip-switch settings.



Switches are set to address "50"

Changing MRS-485 settings

The DIP switches are to set the Modbus address and are also used to change the MRS-485 settings. Valid Modbus addresses are between 1 and 247 where switch 1 is the least significant bit (LSB) and switch 8 is the most significant bit (MSB). Address 254 is used to place the MRS-485 in programming mode and the rest of addresses (248 to 253, 255, 0) are invalid MODBUS addresses.

Programming Mode

When the address is set to 254 the MRS-485 enters programming mode and the LED pattern: Alternating RED/GREEN every 200 milliseconds, indicates that the MRS-485 is ready and waiting for the user to enter new settings using the 8 switches. Using the 8 switches the user can change the communication settings like baud rate and parity as well as the registration behaviour.

When looking at the switches with the "Address" marking on top, the switches are defined from left to right as:

- Switch 8, switch 7 and switch 6 are used to modify baud rate
- Switch 5 and switch 4 are used to modify parity
- Switch 3 and switch 2 are used to modify registration mode
- Switch 1 is used to request to save the new settings

<u>Switch 8</u>	<u>Switch 7</u>	<u>Switch 6</u>	<u>Description</u>
OFF	OFF	OFF	Default baud rate (19200 Bd)
OFF	OFF	ON	4800 Bd
OFF	ON	OFF	9600 Bd
OFF	ON	ON	19200 Bd (Default value)
ON	OFF	OFF	38400 Bd
ON	OFF	ON	57600 Bd
ON	ON	OFF	115200 Bd
ON	ON	ON	Do not change

<u>Switch 5</u>	<u>Switch 4</u>	<u>Description</u>
OFF	OFF	Default parity (EVEN)
OFF	ON	Parity is ODD
ON	OFF	Parity is NONE
ON	ON	Do not change

Registration mode can be latched or unlatched. MRS-485 is always using data from a valid registration but when registration is latched it will also compare the saved value with the new one and set a flag if it is different. This way, by reading the flag, you can check if it is a different sensor type and you always get data about the sensor present.

<u>Switch 3</u>	<u>Switch 2</u>	<u>Description</u>
OFF	OFF	Default registration mode (Registration not latched)
OFF	ON	Registration not latched (Default value)
ON	OFF	Registration is latched
ON	ON	Do not change

Set the switches to the desired value and then set switch 1 to ON and then OFF and the new settings will be saved in EERPOM.

The result of saving operation is displayed on LED: Alternating RED/OFF every 200 milliseconds indicates that saving new settings failed and Alternating GREEN/OFF every 200 milliseconds indicates that saving new settings passed. Once the new settings have passed, set the address for the device using the Address switches.

Line Termination - End of Line Resistor

The MRS-485 adapter is wired in the standard 2W-Modbus circuits definition with selectable built-in terminating resistors at the ends of the RS-485 bus. The MRS-485 provides integral termination for end of line resistors (EOL). The MRS-485 termination uses 4 pin connector with jumper to select termination: The user selects no termination or one of the two Modbus line termination options. The MRS485 has two line termination options provided onboard that should cover most situations.

Place the EOL jumper on one of the following positions:

1 = 100 ohm

2 = 120 ohm

N = No termination (default)

If Line Termination requirements are different than those provided then the line termination will need to be provided by the installer.



1 = 1	51 = 1, 2, 5, 6	101 = 1, 3, 6, 7	151 = 1, 2, 3, 5, 8	201 = 1, 4, 7, 8
2 = 2	52 = 3, 5, 6	102 = 2, 3, 6, 7	152 = 4, 5, 8	202 = 2, 4, 7, 8
3 = 1, 2	53 = 1, 3, 5, 6	103 = 1, 2, 3, 6, 7	153 = 1, 4, 5, 8	203 = 1, 2, 4, 7, 8
4 = 3	54 = 2, 3, 5, 6	104 = 4, 6, 7	154 = 2, 4, 5, 8	204 = 3, 4, 7, 8
5 = 1, 3	55 = 1, 2, 3, 5, 6	105 = 1, 4, 6, 7	155 = 1, 2, 4, 5, 8	205 = 1, 3, 4, 7, 8
6 = 2, 3	56 = 4, 5, 6	106 = 2, 4, 6, 7	156 = 3, 4, 5, 8	206 = 2, 3, 4, 7, 8
7 = 1, 2, 3	57 = 1, 4, 5, 6	107 = 1, 2, 4, 6, 7	157 = 1, 3, 4, 5, 8	207 = 1, 2, 3, 4, 7, 8
8 = 4	58 = 2, 4, 5, 6	108 = 3, 4, 6, 7	158 = 2, 3, 4, 5, 8	208 = 5, 7, 8
9 = 1, 4	59 = 1, 2, 4, 5, 6	109 = 1, 3, 4, 6, 7	159 = 1, 2, 3, 4, 5, 8	209 = 1, 5, 7, 8
10 = 2, 4	60 = 3, 4, 5, 6	110 = 2, 3, 4, 6, 7	160 = 6, 8	210 = 2, 5, 7, 8
11 = 1, 2, 4	61 = 1, 3, 4, 5, 6	111 = 1, 2, 3, 4, 6, 7	161 = 1, 6, 8	211 = 1, 2, 5, 7, 8
12 = 3, 4	62 = 2, 3, 4, 5, 6	112 = 5, 6, 7	162 = 2, 6, 8	212 = 3, 5, 7, 8
13 = 1, 3, 4	63 = 1, 2, 3, 4, 5, 6	113 = 1, 5, 6, 7	163 = 1, 2, 6, 8	213 = 1, 3, 5, 7, 8
14 = 2, 3, 4	64 = 7	114 = 2, 5, 6, 7	164 = 3, 6, 8	214 = 2, 3, 5, 7, 8
15 = 1, 2, 3, 4	65 = 1, 7	115 = 1, 2, 5, 6, 7	165 = 1, 3, 6, 8	215 = 1, 2, 3, 5, 7, 8
16 = 5	66 = 2, 7	116 = 3, 5, 6, 7	166 = 2, 3, 6, 8	216 = 4, 5, 7, 8
17 = 1, 5	67 = 1, 1, 2, 7	117 = 1, 3, 5, 6, 7	167 = 1, 2, 3, 6, 8	217 = 1, 4, 5, 7, 8
18 = 2, 5	68 = 3, 7	118 = 2, 3, 5, 6, 7	168 = 4, 6, 8	218 = 2, 4, 5, 7, 8
19 = 1, 2, 5	69 = 1, 3, 7	119 = 1, 2, 3, 5, 6, 7	169 = 1, 4, 6, 8	219 = 1, 2, 4, 5, 7, 8
20 = 3, 5	70 = 2, 3, 7	120 = 4, 5, 6, 7	170 = 2, 4, 6, 8	220 = 3, 4, 5, 7, 8
21 = 1, 3, 5	71 = 1, 2, 3, 7	121 = 1, 4, 5, 6, 7	171 = 1, 2, 4, 6, 8	221 = 1, 3, 4, 5, 7, 8
22 = 2, 3, 5	72 = 4, 7	122 = 2, 4, 5, 6, 7	172 = 3, 4, 6, 8	222 = 2, 3, 4, 5, 7, 8
23 = 1, 2, 3, 5	73 = 1, 4, 7	123 = 1, 2, 4, 5, 6, 7	173 = 1, 3, 4, 6, 8	223 = 1, 2, 3, 4, 5, 7, 8
24 = 4, 5	74 = 2, 4, 7	124 = 3, 4, 5, 6, 7	174 = 2, 3, 4, 6, 8	224 = 6, 7, 8
25 = 1, 4, 5	75 = 1, 2, 4, 7	125 = 1, 3, 4, 5, 6, 7	175 = 1, 2, 3, 4, 6, 8	225 = 1, 6, 7, 8
26 = 2, 4, 5	76 = 3, 4, 7	126 = 2, 3, 4, 5, 6, 7	176 = 5, 6, 8	226 = 2, 6, 7, 8
27 = 1, 2, 4, 5	77 = 1, 3, 4, 7	127 = 1, 2, 3, 4, 5, 6, 7	177 = 1, 5, 6, 8	227 = 1, 2, 6, 7, 8
28 = 3, 4, 5	78 = 2, 3, 4, 7	128 = 8	178 = 2, 5, 6, 8	228 = 3, 6, 7, 8
29 = 1, 3, 4, 5	79 = 1, 3, 4, 7	129 = 1, 8	179 = 1, 2, 5, 6, 8	229 = 1, 3, 6, 7, 8
30 = 2, 3, 4, 5	80 = 5, 7	130 = 2, 8	180 = 3, 5, 6, 8	230 = 2, 3, 6, 7, 8
31 = 1, 2, 3, 4, 5	81 = 1, 5, 7	131 = 1, 2, 8	181 = 1, 3, 5, 6, 8	231 = 1, 2, 3, 6, 7, 8
32 = 6	82 = 2, 5, 7	132 = 3, 8	182 = 2, 3, 5, 6, 8	232 = 4, 6, 7, 8
33 = 1, 6	83 = 1, 2, 5, 7	133 = 1, 3, 8	183 = 1, 2, 3, 5, 6, 8	233 = 1, 4, 6, 7, 8
34 = 2, 6	84 = 3, 5, 7	134 = 2, 3, 8	184 = 4, 5, 6, 8	234 = 2, 4, 6, 7, 8
35 = 1, 2, 6	85 = 1, 3, 5, 7	135 = 1, 2, 3, 8	185 = 1, 4, 5, 6, 8	235 = 1, 2, 4, 6, 7, 8
36 = 3, 6	86 = 2, 3, 5, 7	136 = 4, 8	186 = 2, 4, 5, 6, 8	236 = 3, 4, 6, 7, 8
37 = 1, 3, 6	87 = 1, 2, 3, 5, 7	137 = 1, 4, 8	187 = 1, 2, 4, 5, 6, 8	237 = 1, 3, 4, 6, 7, 8
38 = 2, 3, 6	88 = 4, 5, 7	138 = 2, 4, 8	188 = 3, 4, 5, 6, 8	238 = 2, 3, 4, 6, 7, 8
39 = 1, 2, 3, 6	89 = 1, 4, 5, 7	139 = 1, 2, 4, 8	189 = 1, 3, 4, 5, 6, 8	239 = 1, 2, 3, 4, 6, 7, 8
40 = 4, 6	90 = 2, 4, 5, 7	140 = 3, 4, 8	190 = 2, 3, 4, 5, 6, 8	240 = 5, 6, 7, 8
41 = 1, 4, 6	91 = 1, 2, 4, 5, 7	141 = 1, 3, 4, 8	191 = 1, 2, 3, 4, 5, 6, 8	241 = 1, 5, 6, 7, 8
42 = 2, 4, 6	92 = 3, 4, 5, 7	142 = 2, 3, 4, 8	192 = 7, 8	242 = 2, 5, 6, 7, 8
43 = 1, 2, 4, 6	93 = 1, 3, 4, 5, 7	143 = 1, 2, 3, 4, 8	193 = 1, 7, 8	243 = 1, 2, 5, 6, 7, 8
44 = 3, 4, 6	94 = 2, 3, 4, 5, 7	144 = 5, 8	194 = 2, 7, 8	244 = 3, 5, 6, 7, 8
45 = 1, 3, 4, 6	95 = 1, 2, 3, 4, 5, 7	145 = 1, 2, 5, 8	195 = 1, 2, 7, 8	245 = 1, 3, 5, 6, 7, 8
46 = 2, 3, 4, 6	96 = 6, 7	146 = 2, 5, 8	196 = 3, 7, 8	246 = 2, 3, 5, 6, 7, 8
47 = 1, 2, 3, 4, 6	97 = 1, 6, 7	147 = 1, 2, 5, 8	197 = 1, 3, 7, 8	247 = 1, 2, 3, 5, 6, 7, 8
48 = 5, 6	98 = 2, 6, 7	148 = 3, 5, 8	198 = 2, 3, 7, 8	254 = 2, 3, 4, 5, 6, 7, 8
49 = 1, 5, 6	99 = 1, 2, 6, 7	149 = 1, 3, 5, 8	199 = 1, 2, 3, 7, 8	
50 = 2, 5, 6	100 = 3, 6, 7	150 = 2, 3, 5, 8	200 = 4, 7, 8	

Power Up

The Macurco 6-Series detector cycles through an internal self-test cycle for the first minute that it is powered. The unit will execute the test cycle any time power is dropped and reapplied (i.e. power failure). During the self-test cycle the unit will display the firmware version number, then count down from 60 to 0 (if the display setting is "On") and finally go into normal operation. The alarm relay will be activated for 10 seconds and the fan relay for 60 seconds during the power-up cycle unless the "Power Up Test" (PUT) option is OFF. The indicator light (LED) will flash green during the self-test cycle. At the end of the 1 minute cycle, the unit will take its first sample of the air and the indicator light will turn solid green.

The MRS-485 is an adapter which allows the reading of a 6-Series gas detector over a Modbus interface. To achieve this, the MRS-485 will monitor the 4-20 mA current output of the detector. At power up and during its warm-up period, the 6-Series detector will communicate its sensor type over the 4-20 current output using a custom protocol. The MRS-485 will automatically register each 6-Series detector as it is programmed with information about all the detectors to which it can be connected. The MRS-485 will use this information to determine the gas level sensed by the 6-Series detector by measuring the 4-20 mA current-loop output during normal operation of the detector.

4-20mA Test Points

The MRS-485 has two Test Points labeled 1 and 2. These are provided to test the 4-20mA analog output directly from the detector, using a meter and probes, without having to remove the MRS-485 from the detector. See the Testing section for more detail.

Operation

1. With the display function turned "On", the 6-Series detector will show the current concentration of gas or "0" (zero) in clean air. When the gas concentration reaches the Fan Relay setting the display will flash back and forth between "FAn" and that concentration. With the display function turned "Off", the display does not show the gas concentration, but will show "FAn" as long as the fan relay is activated.
2. With the display function turned "On" and the gas concentration reaching the Alarm Relay setting, the display will flash back and forth between "ALr" and that concentration. The buzzer will sound indicating "Alarm" if the buzzer is turned "On". With the display function turned off the display does not show the gas concentration, but will show "ALr" when the Alarm relay is activated.
3. With the 4-20 mA function turned "On" and the gas concentration climbing, the 4-20 mA signal will ramp up corresponding to the concentration. The display will show "FAn" and "ALr" and sound as outlined above. The MRS-485 will monitor the 4-20 mA current output of the detector. The MRS-485 has a Tricolor LED (RED, GREEN and AMBER) which is used to display the status.

Normal Operation

1. When the LED is solid GREEN, operation is normal, the MRS-485 knows the detector type, no errors are detected and no MODBUS data are being received or transmitted over the RS-485 line.
2. When the LED is GREEN with random bursts of AMBER, operation is normal and now data are being received or transmitted over the RS-485 line. The AMBER LED will come on anytime that there is data traffic.

Onboard Diagnostics

Unknown Sensor Code

GREEN/OFF Alternating every 500 milliseconds - The MRS-485 doesn't know the detector type, no MODBUS communications is in progress and no errors are detected.

To correct this condition:

1. Disconnect the power line from the MRS-485.
2. Disconnect the MODBUS line from the MRS-485.
3. Re-connect the Modbus Line to the MRS-485.
4. Re-connect the power line to the MRS-485.

Error Codes

Solid RED - The MRS-485 detected an error and no MODBUS communications are in progress.

RED with random bursts of AMBER - The MRS-485 detected an error and AMBER is displayed when data are received or transmitted over the RS-485 line.

There are a number of conditions which are signaled in this way:

- Current EEPROM Settings not initialized
- Current EEPROM Settings have bad checksum
- Factory EEPROM Settings not initialized
- Factory EEPROM Settings have bad checksum
- Unknown Sensor exponent value
- Watchdog reset
- Loaded Factory EEPROM Settings in EEPROM Current Settings
- Latched sensor type different than registered sensor type
- Unknown sensor type because registration failed

Dip Switch Settings Codes

RED/GREEN Alternating every 200 milliseconds indicates that MRS-485 is in programming mode and waiting for user to enter new settings using the 8 switches.

RED/OFF alternating every 200 milliseconds indicates that saving new settings failed.

GREEN/OFF alternating every 200 milliseconds indicates that saving new settings passed.

RED/OFF alternating every 500 milliseconds indicates that selected MODBUS address is not an accepted value.

6-Series Testing

General

The Macurco MRS-485 adapter converts the 4-20mA analog signal from Macurco 6-Series type detectors to a digital signal for use with multipoint addressable systems. The 6-Series test procedures may be used to ensure that the MRS-485 accepts the 4-20mA output for the Modbus communications. All 6-Series detectors are factory calibrated and 100% tested for proper operation. The units also perform a regular automatic self-test during normal operation. If the unit detects an improper voltage or inoperable component, it will default into Error mode. In this error mode, the Fan and Alarm relays will be activated, the 4-20 mA output will go to 24 mA, the unit will display the error code and the buzzer will chirp intermittently.

Operation Test

Normally this will be the only test required for the 6-Series detectors and is the recommended way to test the unit or units after installation. Check that the green detector operating LED light is illuminated continuously. If not, do not proceed with the tests. If the unit is in error mode contact your local representative or Macurco technical service representative for information on resolving the problem.

1. Remove the single screw in the middle of the front cover of the 6-Series detector.
2. Remove the front cover.
3. Observe the LED light on the front of the 6-Series detectors.
4. If the light is solid green proceed to step 6.
5. If the light is off or flashing Green, refer to the General section above.
6. Locate the switch labeled ENTER/TEST on the left side of the printed circuit board. Press the Test switch once.
7. The 6-Series detector will step through a cycle test:
 - a. The display progresses through the **bUZ** (Buzzer Test) **Art** (alarm relay test), **Frt** (fan relay test) then **42I** (4-20 mA output test).
 - b. Make sure that the settings are "on" or not disabled "diS".
 - c. During the first 10 seconds of the test cycle, the display will show BUZ and set off the audible buzzer
 - d. The alarm relay will be closed, so any devices connected to that relay will be tested.
 - e. The Fan relay will be activated for the next 1 minute of the test, so if the fan circuits are wired in the normal manner, the fan should run.
 - f. The 4-20mA output will then ramp up from 4 to 16 mA over the next 130 seconds of the test, so if the circuit is wired in the normal manner, the control panel or building automation system should respond.
 - g. At the end of the test cycle, the light will turn green and be on steady (Normal Operation), the fan & alarm relay will be in standby mode and the 4-20 mA output will return to 4 mA (in clean air).
8. When testing is completed reassemble the unit or units.

Manual Operation Test

This option gives the user the opportunity to manually initiate an individual test for each relay, the analog output and the sensor response to gas. From normal operation mode press the Next button 3 times to get to the Test Mode (TSI). Press the Enter button once to get into the Test Menu. Press the Next button to scroll through the four test options and press Enter to initiate the selected test. Note that if the relay or 4–20 mA output has been disabled, the test selection will not be displayed in the test menu.

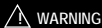
Art - Alarm Relay Test, 10 seconds

Frt - Fan Relay Test, 60 seconds

42t - 420 loop test, 25 seconds

MAINTENANCE

The MRS-485 does not require regular maintenance. All maintenance and repair of products manufactured by Macurco are to be performed at the appropriate Macurco manufacturing facility. Macurco does not sanction any third-party repair facilities.



Do not disassemble unit or attempt to repair or modify any component of this instrument. This instrument contains no user serviceable parts, and substitution of components may impair product performance and **result in sickness or death**.

CAUTION

Avoid the use of harsh cleaning materials, abrasives and other organic solvents. Such materials may permanently scratch the surfaces and damage the LEDs labels or instrument housing.

Cleaning

Cleaning of the external surfaces is best carried out using a damp cloth with a mild detergent or soap. Use a vacuum cleaner with soft brush to remove dust or contamination. Do not blow out the sensor with compressed air.

MACURCO FIXED GAS DETECTION PRODUCTS LIMITED WARRANTY

Macurco warrants the MRS-485 adapter will be free from defective materials and workmanship for a period of two (2) years from date of manufacture (indicated on the cover of the MRS-485), provided it is maintained and used in accordance with Macurco instructions and/or recommendations. If any component becomes defective during the warranty period, it will be replaced or repaired free of charge, if the unit is returned in accordance with the instructions below. This warranty does not apply to units that have been altered or had repair attempted, or that have been subjected to abuse, accidental or otherwise. The above warranty is in lieu of all other express warranties, obligations or liabilities. THE IMPLIED WARRANTIES OF MERCHANTABILITY AND FITNESS FOR PARTICULAR PURPOSE ARE LIMITED TO A PERIOD OF TWO (2) YEARS FROM THE PURCHASE DATE. Macurco shall not be liable for any incidental or consequential damages for breach of this or any other warranty, express or implied, arising out of or related to the use of said gas detector. Manufacturer or its agent's liability shall be limited to replacement or repair as set forth above. Buyer's sole and exclusive remedies are return of the goods and repayment of the price, or repair and replacement of non-conforming goods or parts.

Manufactured by Aerionics, Inc.

Sioux Falls, SD

Email: info@aerionicsinc.com

Phone: 1-877-367-7891

Rev 06.29.2015

© Aerionics 2015. All rights reserved.

Macurco is a trademark of Aerionics, Inc.



MACURCO

GAS DETECTION

Macurco™ Modbus® RS-485 Adaptador MRS-485 Instrucciones para el usuario



IMPORTANTE: Mantenga estas Instrucciones como referencia

TABLA DE CONTENIDO

INFORMACIÓN GENERAL DE SEGURIDAD	3
Uso previsto	3
Lista de Advertencias y Precauciones	3
INSTRUCCIONES DE USO Y LIMITACIONES	3
Utilice Para	3
No utilice para	3
Descripción General	4
Características	4
Especificaciones	4
INSTRUCCIONES DE INSTALACIÓN Y OPERACIÓN	5
Ubicación	5
Instalación	5
Vista trasera desarrollada	5
Vista frontal desarrollada	6
Conexión	6
Cableado	7
Cable de señal	7
Topología	7
Diagrama de conexión típica	7
Longitud	8
Toma de tierra	8
Energía	8
Interruptores DIP y direccionamiento	8
Figura del interruptor DIP	8
Ajustes	9
Programación	9
Terminación de línea	10
Detalle de MRS-485	10
Tabla de configuración del interruptor Dip	11
Carga	12
Puntos de prueba 4-20 mA	12
Operación	12
Operación Normal	12
Diagnósticos a bordo	13
Códigos de error	13
Códigos de configuración del interruptor DIP	13
Pruebas	14
General	14
Prueba de funcionamiento	14
Prueba manual de funcionamiento	15
MANTENIMIENTO	15
Limpieza	15
GARANTÍA DE LOS PRODUCTOS MARUCO DE DETECCIÓN DE GAS	16

INFORMACIÓN GENERAL DE SEGURIDAD

Uso previsto

El adaptador Macurco MRS-485 es un accesorio utilizado para convertir la señal analógica 4-20 mA de los detectores Macurco 6-Series a una señal digital para su uso con los sistemas direccionables multipunto. El Macurco MRS-485 sólo se conecta a la parte posterior del detector y es sostenido en su lugar por un solo tornillo. El MRS-485 acepta la salida 4-20 mA y, al igual que el detector, se alimenta de la misma conexión. El MRS-485 tiene la capacidad de interactuar con los sistemas de automatización de edificios, con los paneles de control o con otros dispositivos de control que acepten las comunicaciones Modbus.

Lista de advertencias y precauciones en estas instrucciones para el usuario



- Antes de usar este equipo, cada persona, que lo utilice, debe leer y entender la información en estas instrucciones. El uso de este equipo por personas no capacitadas o no calificadas, o el uso sin seguir las instrucciones para el usuario, puede afectar negativamente el rendimiento del producto, e incluso **ocasionar enfermedad o muerte.**
- Este equipo no funciona adecuadamente en una temperatura por debajo de los 0 ° F o por encima de los 125 ° F (-18 ° C o por encima de los 52 ° C). Usar el detector fuera de este rango de temperatura puede afectar negativamente el desempeño del producto, e incluso **ocasionar enfermedad o muerte.**
- No desarme la unidad ni intente reparar o modificar ninguno de los componentes de este instrumento. Este instrumento no contiene ninguna pieza que el usuario pueda reparar y la sustitución de componentes puede afectar el rendimiento del producto, e incluso **ocasionar enfermedad o muerte.**

INSTRUCCIONES DE USO Y LIMITACIONES



Antes de usar este equipo, cada persona que lo utilice, debe leer y entender la información en estas Instrucciones. El uso de este equipo por personas no capacitadas o no calificadas, o el uso sin seguir las instrucciones para el usuario, puede afectar negativamente el rendimiento del producto, e incluso **ocasionar enfermedad o muerte.**

Utilice Para

El adaptador Maruco MRS-485 convierte la salida analógica del Macurco 6-Series de 4-20 mA a una salida digital para los sistemas de red direccionables. El Macurco 6-Series es una familia de detectores de gas duales, de controladores y de transductores totalmente programables y de baja tensión para los sistemas de automatización de edificios (BAS, por sus siglas en inglés), para la calefacción, la ventilación y el aire acondicionado (HVAC, por sus siglas en inglés) y para incendios y seguridad. Los detectores 6-Series se utilizan para medir la concentración de varios gases: monóxido de carbono, metano, propano, hidrógeno, dióxido de nitrógeno y otros gases; y para proporcionar una retroalimentación y un control automático que ayude a garantizar un ambiente seguro

No utilice para

El MRS-485 no está diseñado para su uso en lugares peligrosos o para aplicaciones industriales tales como en refinerías, plantas químicas, etc. No instale el MRS-485 donde la temperatura ambiente normal sea inferior a los 0 ° F o superior a los 125 ° F (-18 ° C o superior a los 52 ° C). El MRS-485 se instala en un detector Macurco 6-Series instalado en una caja eléctrica de 4" x 4" suministrada por el contratista.

Este equipo puede no funcionar adecuadamente en una temperatura por debajo de los 0 ° F o por encima de los 125 ° F (-18 ° C o superior a los 52 ° C). Usar el detector fuera de este rango de temperatura puede afectar negativamente el desempeño del producto, e incluso ocasionar enfermedad o muerte.

Descripción General

El adaptador Macurco MRS-485 es un accesorio utilizado para convertir la señal analógica 4-20 mA de los detectores Maruco 6-Series a una señal digital para su uso con los sistemas direccionables multipunto. El Macurco MRS-485 sólo se conecta a la parte posterior del detector y se sostiene en su lugar por un solo tornillo. El MRS-485 acepta la salida 4-20 mA y, al igual que el detector, se alimenta de la misma conexión. El MRS-485 tiene la capacidad de interactuar con los sistemas de automatización de edificios, con los paneles de control o con otros dispositivos de control que acepten las comunicaciones Modbus.

Características

- El Macurco MRS-485 enlaza la energía del detector y las líneas de salida 4-20mA con un conector ya instalado.
- Los monitores MRS-485 de tipo sensor para sondear los niveles de gas, los estatus de los problemas de cualquiera de los detectores Maruco 6-Series.
- La comunicación está sobre una línea serie MODBUS con una interfaz eléctrica "de dos cables" de acuerdo a los estándares EIA / TIA-485 utilizados.
- Modo de transmisión RTU
- De tipo comercial recubierto, para proteger y ayudar a los electrónicos
- El LEDTricolor indica el estado de energía, de prueba y de comunicación
- Se instala detrás del detector en el interior de una caja eléctrica estándar 4"x 4"
- Mantenga el detector 6-Series con un solo tornillo en la parte posterior
- Selector del interruptor DIP de 8 bits del direccionador
- La terminación RS-485 utiliza un conector de 4 pines con un puente para seleccionarla: El usuario no selecciona ninguna terminación o selecciona una de las dos
- Opciones de terminación de la línea Modbus
- Las conexiones de comunicación incluyen terminales de señal (A y B), comunes y de escudo
- Diseñado para su uso en zonas no peligrosas tales como estacionamientos, almacenes u otros establecimientos comerciales

Especificaciones

- Energía y corriente (con un detector): 3.25W (máximo) de 12 a 24 VAC o VDC, 85mA en estado de alarma, 60mA en el relevador del ventilador y 33mA en el soporte de @ 24 VDC
- Peso envío: 0,25 libras (0,11 kg)
- Tamaño: 3 1/2 x 2 x 1 3/4 pulgadas (8,9 X 5,1 X 4,4 cm)
- Medio operativo: De 0 ° F a 125 ° F (-18 ° C a + 52 ° C), de 10 a 90% de humedad relativa sin condensación
- Conexiones: enchufes / terminales
- Color: Negro
- Tornillo de instalación y desarmador incluidos
- El MRS-485 opera en el modo de transmisión Mosbus RTU
- Velocidad de transferencia: 4800, 9600, 19200 (predeterminado), 38.400, 57.600, 115.200 bps
- Paridad: Impar, Par (predeterminado) y Ninguno

INSTRUCCIONES DE INSTALACIÓN Y OPERACIÓN

Las siguientes instrucciones están destinadas a servir como guía para el uso del adaptador Macurco Modbus RS-485; no debe considerarse en toda circunstancia, ni pretende reemplazar la política y los procedimientos de cada infraestructura. Si usted tiene alguna duda acerca de la aplicación del equipo de acuerdo a su situación, llame al Servicio Técnico al 1-877-367-7891.

Ubicación

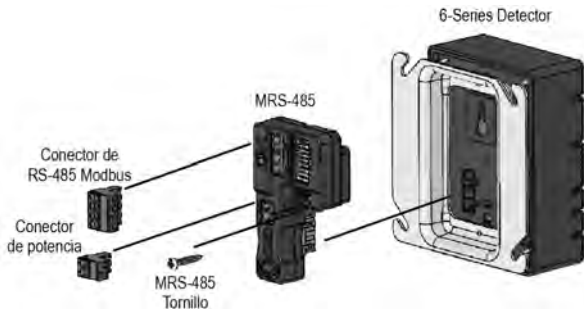
Consulte las instrucciones de uso del detector de gas Macurco 6-Series al que debe conectarse el MRS-485.

Instalación

Detección de gases

El adaptador Macurco MRS-485 convierte la salida analógica del Macurco 6-Series 4-20 mA a una salida digital para el uso de sistemas de red direccionables. El Macurco 6-Series es una familia de detectores de gas duales, de controladores y de transductores totalmente programables y de baja tensión para los sistemas de automatización de edificios (BAS, por sus siglas en inglés), para la calefacción, la ventilación y el aire acondicionado (HVAC, por sus siglas en inglés) y para incendios y seguridad. Los detectores 6-Series se utilizan para medir la concentración de varios gases: monóxido de carbono, metano, propano, hidrógeno, dióxido de nitrógeno y otros gases; y para proporcionar una retroalimentación y un control automático que ayude a garantizar un ambiente seguro.

1. Retire la clavija 4-20 mA de alimentación del detector de gas Macurco 6-series
2. Conecte el adaptador MRS-485 a la toma vacía.
3. Instale el tornillo MRS-485 suministrado.
4. Vea el diagrama de cableado para la conexión de cables.



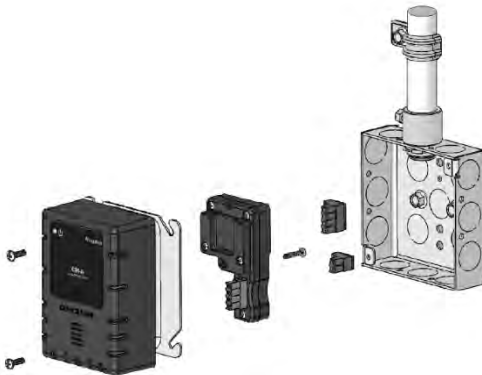
1. El detector 6-Series se instala en una caja eléctrica de 4 x 4 suministrada por el contratista.
2. Conecte el detector a los cables de control con conectores terminales. Al hacer las conexiones, asegúrese de que la corriente eléctrica esté desconectada.

- Hay dos terminales para los contactos secos del relevador de alarma, también sin preferencia polaridad. El relevador de alarma se puede cambiar a 0.5 A 120 V, o a 60 VA. El relevador de la alarma se activa si el gas alcanza o excede los ajustes de la alarma. Vea la sección de OPERACIÓN del detector en las Instrucciones para el usuario para obtener más información sobre los ajustes del relevador.
- El relevador de la alarma se puede configurar para abrir normalmente (predeterminado) (NO, por sus siglas en inglés) o cerrar normalmente (NC, por sus siglas en inglés) y se activará si la concentración de gas excede el punto de ajuste de la alarma. Se desactivará una vez que la concentración de gas caiga por debajo del punto de ajuste de la alarma. Tenga en cuenta que el ajuste "desactivar" hará que el relevador de la alarma no se engrane en absoluto.
- El contacto seco del relevador del ventilador con tiro de poste único (SPDT, por sus siglas en inglés) tiene tres terminales, la común (COM., por sus siglas en inglés), la normalmente abierta (NO, por sus siglas en inglés) y la normalmente cerrada (NC, por sus siglas en inglés). El relevador del ventilador puede cambiar de 5.0 A a hasta 240 VAC. Vea la sección de OPERACIÓN del detector en las Instrucciones para el usuario para obtener detalles sobre los ajustes del relevador.

Conexión

La salida del Macurco MRS-485 está conectada a través de un conector de tornillo de cuatro terminales. El adaptador MRS-485 está cableado en los circuitos de definición estándar 2W-Modbus, tiene resistencias de terminación fabricadas en los extremos del bus RS-485; la energía para el adaptador MRS-485 se obtiene conectándolo a un conector de tornillo con dos terminales, de 12 a 24 VAC o de 12 a 24 VDC y sin polaridad.

Nota: hacer funcionar el cable adyacente Modbus o el mismo conducto con cables de alto voltaje no es recomendable ya que puede haber interferencia de alto voltaje. La línea de polarización no es necesaria para el MRS-485, pero puede serlo para los otros dispositivos de la línea RS485 - ver las instrucciones del fabricante.



Cableado

Señal Cable

Un MODBUS sobre el cable de línea serial debe ser blindado para un mejor rendimiento. El blindaje debe ser conectado en cada detector en Terminal SHD y a una terminal de tierra o chasis, ésto solamente en un extremo del bus. Un RS485-MODBUS debe utilizar un par de cables equilibrados (por A-B) y un tercer cable (para el común). El calibre del cable para el RS485-MODBUS que debe elegirse tiene que ser lo suficientemente amplio para permitir la longitud máxima (1.000 m o 3281 pies). Generalmente, el AWG 24 es suficiente para los datos MODBUS. Los cables de categoría 5 deben operar a su máxima longitud de 600m 1968.5 pies para el RS485-MODBUS; para los pares equilibrados utilizados en un sistema RS485, es preferible un cable con una característica de impedancia de más de 100 Ohms especialmente para las de 19.200 y para las de tasas de baudios más altas.

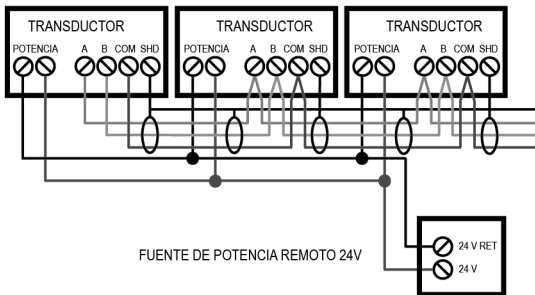
Nota: Se recomienda utilizar siempre cables trenzados para reducir el ruido y permitir la comunicación confiable de datos a largas distancias. Utilice, al menos, un cable con 3 conductores, un par trenzado para proporcionar un par de conexiones de señal (A y B) y una conexión común (COM).

Para un mejor rendimiento, utilice cable blindado de 3 conductores con un par trenzado para proporcionar un par de conexiones de señal (A y B), una conexión común (COM) y una conexión de tierra blindada (SHD, por sus siglas en inglés).

Topología

Una configuración RS485-MODBUS sin repetidor tiene un cable principal al cual se conectan directamente los dispositivos (conexión margarita) o tiene cables cortos de derivación para ello. El cable principal, también llamado "Bus", puede ser largo; sus dos extremos deben estar conectados a la línea de terminaciones. (Ver línea de terminaciones - Fin de la sección Línea de Resistencia). El uso de repetidores entre varios RS485-MODBUS también es posible.

CONEXIÓN TÍPICA DE MRS-485



Longitud

La longitud final del cable principal debe ser limitada. La longitud máxima depende de la velocidad de transmisión, del cable (calibre, capacidad o impedancia característica), del número de cargas en la cadena margarita y de la configuración de la red (2 cables). Para una velocidad de transmisión máxima de 9600 y para un calibre AWG26 (o más amplio) la longitud máxima es 1000m 3281pies. Las derivaciones deben ser cortas, nunca de más de 20m 65.5 pies; Si una conexión multipuerto se usa con n derivaciones, cada una debe respetar una longitud máxima de 40m 131pies dividida entre n.

Toma de tierra

El circuito común (COM) debe estar conectado directamente a la tierra de protección, preferiblemente en un solo punto para todo el bus.

Cable de alimentación

Todo el cableado en el campo se completa a través de conectores modulares (proporcionado). Después del cableado, simplemente conecte los conectores correspondientes en el MRS-485. Los cables de alimentación de los detectores instalados a distancia deben tener un tamaño de AWG18 (mínimo) para ejecuciones cortas. Ya que los detectores Macurco están clasificados para la operación de 12 a 24 VDC o VAC, la caída de voltaje entre la fuente de alimentación y el MRS-485 no debería ser un problema si se siguen las recomendaciones, que se hacen abajo, sobre de calibre del cable de alimentación. Los terminales aceptarán un cable desde 16 hasta 24 AWG; para instalar un cable, pele aproximadamente 0,25 pulgadas. (6 mm) del aislante e inserte el cable pelado en la terminal; apriete la abrazadera con el tornillo y asegúrese de que el cable no pueda sacarse fácilmente del conector.

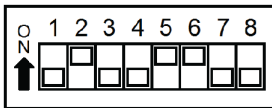
Máxima Longitud de ejecución

Sección del cable pies metros

18	500	152
16	800	244
14	1250	381

Interruptores DIP y direccionamiento

Cada MRS-485 (y el detector de gas asociado) debe configurarse a una dirección única. Si hay 10 detectores en la línea serie, entonces se deben utilizar 10 direcciones únicas, una para cada detector. Para configurar la dirección use las ocho posiciones de los interruptores DIP. Para cada unidad elija el valor de 1 a 247 (ver gráfico) y establezca los ocho interruptores para que coincidan con la dirección. **ARRIBA significa ON (encendido) o 1 y ABAJO significa OFF (apagado) o 0.** Por ejemplo, para configurar una unidad como la dirección "50", ajuste los interruptores "2, 5, 6" (vea la tabla) en ON o en la posición superior (01001100). Consulte la página 11 para ver la lista de direcciones y los ajustes aplicables a los interruptores DIP..



Los interruptores se configuran para la dirección "50"

Cambiar la configuración del MRS-485

Los interruptores DIP son para configurar la dirección Modbus, aunque también se utilizan para cambiar la configuración del MRS-485. Las direcciones Modbus válidas son entre 1 y 247, donde el interruptor 1 es el bit menos significativo (LSB, por sus siglas en inglés) y el interruptor 8 es el bit más significativo (MSB, por sus siglas en inglés). La dirección 254 es utilizada para colocar el MRS-485 en modo de programación y el resto de las direcciones (248 a 253, 255, 0) son direcciones Modbus no válidas.

Modo de Programación

Cuando la dirección se establece en 254 el MRS-485 entra en modo de programación y el patrón de LED: ROJO / VERDE alternando cada 200 milisegundos, eso indica que el MRS-485 está listo y en espera de que el usuario introduzca los nuevos ajustes usando los 8 interruptores. Utilizando los 8 interruptores, el usuario puede cambiar los ajustes de comunicación, por ejemplo la velocidad de transmisión y la paridad, así como el comportamiento del registro.

Al observar los interruptores con la "Dirección" marcada en la parte superior, los interruptores se definen de izquierda a derecha como:

- Los interruptores 8, 7 y 6 se utilizan para modificar la velocidad de transmisión
- Los interruptores 5 y 4 se utilizan para modificar la paridad
- Los interruptores 3 y 2 se utilizan para modificar el modo de registro
- El interruptor 1 se utiliza para solicitar el guardar la nueva configuración

Interruptor 8 Interruptor 7 Interruptor 6 Descripción

OFF	OFF	OFF	Velocidad de transmisión predeterminada (19.200 Bd)
OFF	OFF	ON	4800 Bd
OFF	ON	OFF	9600 Bd
OFF	ON	ON	19200 Bd (valor predeterminado)
ON	OFF	OFF	38400 Bd
ON	OFF	ON	57600 Bd
ON	ON	OFF	115.200 Bd
ON	ON	ON	No cambia

Interruptor 5 Interruptor 4 Descripción

OFF	OFF	Paridad predeterminada (UNIFORME)
OFF	ON	Paridad IMPAR
ON	OFF	Paridad NULA
ON	ON	No cambia

El modo de registro puede ser bloqueado o desbloqueado. El MRS-485 siempre utiliza datos de un registro válido, pero cuando el registro está bloqueado también comparará el valor guardado con el nuevo y establecerá un indicador si es que éste es diferente. De esta manera, mediante la lectura del indicador usted puede comprobar si se trata de un tipo de sensor diferente y siempre obtendrá datos sobre el sensor actual.

Interruptor 3 Interruptor 2 Descripción

OFF	OFF	Modo de registro predeterminado (Registro no bloqueado)
OFF	ON	Registro no bloqueado (valor predeterminado)
ON	OFF	Registro bloqueado
ON	ON	No cambia

Ajuste los interruptores al valor deseado, luego ajuste el interruptor 1 en ON y después en OFF, y los nuevos ajustes se guardarán en EERPOM.

El resultado de guardar la operación se muestra en el LED: ROJO / OFF alternando cada 200 milisegundos indica que la acción de guardar la configuración nueva fracasó, mientras que VERDE / OFF alternando cada 200 milisegundos indica que la acción de guardar la configuración nueva tuvo éxito; una vez que la configuración nueva esté guardada, establezca la dirección que debe usar el dispositivo por medio de los interruptores de dirección.

Terminación de la línea – Extremo de la resistencia de la línea

El adaptador MRS-485 está cableado de acuerdo a la definición de circuitos estándar 2W-Modbus con resistencias de terminación seleccionables incorporadas en los extremos del bus RS-485. El MRS-485 proporciona la terminación integral del final de las resistencias de la línea (EOL, por sus siglas en inglés). La terminación MRS-485 utiliza 4 pines de conector con un puente para seleccionar la terminación: El usuario no selecciona ninguna terminación o selecciona una de los dos opciones de terminación de la línea Modbus. El MRS485 tiene dos opciones de terminación de la línea provistas que deben cubrir la mayoría de las situaciones.

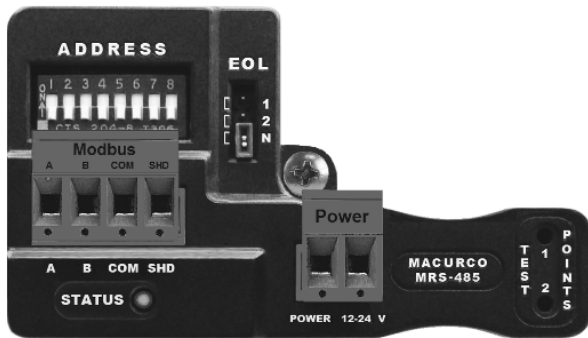
Coloque el puente EOL en una de las siguientes posiciones:

1 = 100 ohm

2 = 120 ohm

N = Sin terminación (predeterminado)

Si los requisitos de terminación de la línea son diferentes a los dados a continuación, entonces la terminación de la línea tendrá que ser provista por el instalador.



1 = 1
2 = 2
3 = 1, 2
4 = 3
5 = 1, 3
6 = 2, 3
7 = 1, 2, 3
8 = 4
9 = 1, 4
10 = 2, 4
11 = 1, 2, 4
12 = 3, 4
13 = 1, 3, 4
14 = 2, 3, 4
15 = 1, 2, 3, 4
16 = 5
17 = 1, 5
18 = 2, 5
19 = 1, 2, 5
20 = 3, 5
21 = 1, 3, 5
22 = 2, 3, 5
23 = 1, 2, 3, 5
24 = 4, 5
25 = 1, 4, 5
26 = 2, 4, 5
27 = 1, 2, 4, 5
28 = 3, 4, 5
29 = 1, 3, 4, 5
30 = 2, 3, 4, 5
31 = 1, 2, 3, 4, 5
32 = 6
33 = 1, 6
34 = 2, 6
35 = 1, 2, 6
36 = 3, 6
37 = 1, 3, 6
38 = 2, 3, 6
39 = 1, 2, 3, 6
40 = 4, 6
41 = 1, 4, 6
42 = 2, 4, 6
43 = 1, 2, 4, 6
44 = 3, 4, 6
45 = 1, 3, 4, 6
46 = 2, 3, 4, 6
47 = 1, 2, 3, 4, 6
48 = 5, 6
49 = 1, 5, 6
50 = 2, 5, 6

51 = 1, 2, 5, 6
52 = 3, 5, 6
53 = 1, 3, 5, 6
54 = 2, 3, 5, 6
55 = 1, 2, 3, 5, 6
56 = 4, 5, 6
57 = 1, 4, 5, 6
58 = 2, 4, 5, 6
59 = 1, 2, 4, 5, 6
60 = 3, 4, 5, 6
61 = 1, 3, 4, 5, 6
62 = 2, 3, 4, 5, 6
63 = 1, 2, 3, 4, 5, 6
64 = 7
65 = 1, 7
66 = 2, 7
67 = 1, 2, 7
68 = 3, 7
69 = 1, 3, 7
70 = 2, 3, 7
71 = 1, 2, 3, 7
72 = 4, 7
73 = 1, 4, 7
74 = 2, 4, 7
75 = 1, 2, 4, 7
76 = 3, 4, 7
77 = 1, 3, 4, 7
78 = 2, 3, 4, 7
79 = 1, 3, 4, 7
80 = 5, 7
81 = 1, 5, 7
82 = 2, 5, 7
83 = 1, 2, 5, 7
84 = 3, 5, 7
85 = 1, 3, 5, 7
86 = 2, 3, 5, 7
87 = 1, 2, 3, 5, 7
88 = 4, 5, 7
89 = 1, 4, 5, 7
90 = 2, 4, 5, 7
91 = 1, 2, 4, 5, 7
92 = 3, 4, 5, 7
93 = 1, 3, 4, 5, 7
94 = 2, 3, 4, 5, 7
95 = 1, 2, 3, 4, 5, 7
96 = 6, 7
97 = 1, 6, 7
98 = 2, 6, 7
99 = 1, 2, 6, 7
100 = 3, 6, 7

101 = 1, 3, 6, 7
102 = 2, 3, 6, 7
103 = 1, 2, 3, 6, 7
104 = 4, 6, 7
105 = 1, 4, 6, 7
106 = 2, 4, 6, 7
107 = 1, 2, 4, 6, 7
108 = 3, 4, 6, 7
109 = 1, 3, 4, 6, 7
110 = 2, 3, 4, 6, 7
111 = 1, 2, 3, 4, 6, 7
112 = 5, 6, 7
113 = 1, 5, 6, 7
114 = 2, 5, 6, 7
115 = 1, 2, 5, 6, 7
116 = 3, 5, 6, 7
117 = 1, 3, 5, 6, 7
118 = 2, 3, 5, 6, 7
119 = 1, 2, 3, 5, 6, 7
120 = 4, 5, 6, 7
121 = 1, 4, 5, 6, 7
122 = 2, 4, 5, 6, 7
123 = 1, 2, 4, 5, 6, 7
124 = 3, 4, 5, 6, 7
125 = 1, 3, 4, 5, 6, 7
126 = 2, 3, 4, 5, 6, 7
127 = 1, 2, 3, 4, 5, 6, 7
128 = 8
129 = 1, 8
130 = 2, 8
131 = 1, 2, 8
132 = 3, 8
133 = 1, 3, 8
134 = 2, 3, 8
135 = 1, 2, 3, 8
136 = 4, 8
137 = 1, 4, 8
138 = 2, 4, 8
139 = 1, 2, 4, 8
140 = 3, 4, 8
141 = 1, 3, 4, 8
142 = 2, 3, 4, 8
143 = 1, 2, 3, 4, 8
144 = 5, 8
145 = 1, 5, 8
146 = 2, 5, 8
147 = 1, 2, 5, 8
148 = 3, 5, 8
149 = 1, 3, 5, 8
150 = 2, 3, 5, 8

151 = 1, 2, 3, 5, 8
152 = 4, 5, 8
153 = 1, 4, 5, 8
154 = 2, 4, 5, 8
155 = 1, 2, 4, 5, 8
156 = 3, 4, 5, 8
157 = 1, 3, 4, 5, 8
158 = 2, 3, 4, 5, 8
159 = 1, 2, 3, 4, 5, 8
160 = 6, 8
161 = 1, 6, 8
162 = 2, 6, 8
163 = 1, 2, 6, 8
164 = 3, 6, 8
165 = 1, 3, 6, 8
166 = 2, 3, 6, 8
167 = 1, 2, 3, 6, 8
168 = 4, 6, 8
169 = 1, 4, 6, 8
170 = 2, 4, 6, 8
171 = 1, 2, 4, 6, 8
172 = 3, 4, 6, 8
173 = 1, 3, 4, 6, 8
174 = 2, 3, 4, 6, 8
175 = 1, 2, 3, 4, 6, 8
176 = 5, 6, 8
177 = 1, 5, 6, 8
178 = 2, 5, 6, 8
179 = 1, 2, 5, 6, 8
180 = 3, 5, 6, 8
181 = 1, 3, 5, 6, 8
182 = 2, 3, 5, 6, 8
183 = 1, 2, 3, 5, 6, 8
184 = 4, 5, 6, 8
185 = 1, 4, 5, 6, 8
186 = 2, 4, 5, 6, 8
187 = 1, 2, 4, 5, 6, 8
188 = 3, 4, 5, 6, 8
189 = 1, 3, 4, 5, 6, 8
190 = 2, 3, 4, 5, 6, 8
191 = 1, 2, 3, 4, 5, 6, 8
192 = 7, 8
193 = 1, 7, 8
194 = 2, 7, 8
195 = 1, 2, 7, 8
196 = 3, 7, 8
197 = 1, 3, 7, 8
198 = 2, 3, 7, 8
199 = 1, 2, 3, 7, 8
200 = 4, 7, 8

201 = 1, 4, 7, 8
202 = 2, 4, 7, 8
203 = 1, 2, 4, 7, 8
204 = 3, 4, 7, 8
205 = 1, 3, 4, 7, 8
206 = 2, 3, 4, 7, 8
207 = 1, 2, 3, 4, 7, 8
208 = 5, 7, 8
209 = 1, 5, 7, 8
210 = 2, 5, 7, 8
211 = 1, 2, 5, 7, 8
212 = 3, 5, 7, 8
213 = 1, 3, 5, 7, 8
214 = 2, 3, 5, 7, 8
215 = 1, 2, 3, 5, 7, 8
216 = 4, 5, 7, 8
217 = 1, 4, 5, 7, 8
218 = 2, 4, 5, 7, 8
219 = 1, 2, 4, 5, 7, 8
220 = 3, 4, 5, 7, 8
221 = 1, 3, 4, 5, 7, 8
222 = 2, 3, 4, 5, 7, 8
223 = 1, 2, 3, 4, 5, 7, 8
224 = 6, 7, 8
225 = 1, 6, 7, 8
226 = 2, 6, 7, 8
227 = 1, 2, 6, 7, 8
228 = 3, 6, 7, 8
229 = 1, 3, 6, 7, 8
230 = 2, 3, 6, 7, 8
231 = 1, 2, 3, 6, 7, 8
232 = 4, 6, 7, 8
233 = 1, 4, 6, 7, 8
234 = 2, 4, 6, 7, 8
235 = 1, 2, 4, 6, 7, 8
236 = 3, 4, 6, 7, 8
237 = 1, 3, 4, 6, 7, 8
238 = 2, 3, 4, 6, 7, 8
239 = 1, 2, 3, 4, 6, 7, 8
240 = 5, 6, 7, 8
241 = 1, 5, 6, 7, 8
242 = 2, 5, 6, 7, 8
243 = 1, 2, 5, 6, 7, 8
244 = 3, 5, 6, 7, 8
245 = 1, 3, 5, 6, 7, 8
246 = 2, 3, 5, 6, 7, 8
247 = 1, 2, 3, 5, 6, 7, 8
254 = 2, 3, 4, 5, 6, 7, 8

Carga

Los ciclos del detector Macurco 6-Series a través de un ciclo de auto-prueba interna durante el primer minuto que está encendido. La unidad ejecutará el ciclo de prueba al momento en el que la energía baje y suba de nuevo (es decir, falla en la energía eléctrica). Durante el ciclo de auto-prueba la unidad mostrará el número de versión del firmware, entonces comenzará la cuenta regresiva del 60 al 0 (si los ajustes de la pantalla están "encendidos") y, finalmente, entrará en operación normal. El relevador de la alarma se activará durante 10 segundos y el relevador del ventilador durante 60 segundos durante el ciclo de encendido a menos que la opción "Prueba de encendido" (Put) esté en OFF. La luz del indicador (LED) parpadeará en color verde durante el ciclo de auto-prueba. Al final del ciclo de 1 minuto, la unidad tendrá su primera muestra de aire y la luz indicadora se encenderá en color verde.

El MRS-485 es un adaptador que permite la lectura de un detector de gas 6-Series a través de una interface Modbus. Para lograr esto, el MRS-485 supervisará la salida de corriente 4-20 mA del detector. En el encendido y durante su período de calentamiento, el detector 6-Series se comunicará con su tipo de sensor en una salida de corriente 4-20 utilizando un protocolo personalizado. El MRS-485 registrará automáticamente cada detector 6-Series que se programe con la información de todos los detectores a los que se pueda conectar. El MRS-485 utilizará esta información para determinar el nivel de gas detectado por el detector 6-Series al medir el bucle de salida de corriente 4-20 mA durante la operación normal del detector.

Puntos de prueba 4-20 mA

El MRS-485 tiene dos puntos de prueba etiquetados como 1 y 2, éstos se proporcionan para probar la salida analógica 4-20 mA directamente desde el detector usando un metro y sensores, sin tener que quitar el MRS-485. Vea la sección de Pruebas para obtener más detalles.

Operación

1. Con la función de visualización en "ON", el detector 6-Series mostrará la concentración de gas actual o "0" (cero) en el aire limpio.
Cuando la concentración de gas alcanza el ajuste "Fan Relay", la pantalla parpadeará entre "Fan" y la concentración. Con la función de la pantalla en "Off", ésta no mostrará la concentración de gas, pero mostrará "Fan" mientras se activa el relevador del ventilador.
2. Con la función de la pantalla en "ON" y la concentración de gas alcanzando el ajuste "Alarm Relay", la pantalla parpadeará entre "Alr" y la concentración. Si el timbre se enciende "On", sonará indicando "Alarma". Con la función de pantalla apagada, ésta no mostrará la concentración de gas, pero mostrará "ALr" cuando se active el relevador de la alarma.
3. Con la función 4-20 mA en "On" y la concentración de gas incrementando, la señal de 4-20 mA se elevará de acuerdo a la concentración. La pantalla mostrará "Fan" y "ALr" y un habrá sonido como se describió anteriormente. El MRS-485 monitoreará la corriente de salida 4-20 mA del detector. El MRS-485 tiene un LED tricolor (rojo, verde y ámbar) que se utiliza para mostrar el estado.

Operación Normal

1. Cuando el LED está en VERDE, el funcionamiento es normal, el MRS-485 sabe qué tipo de detector es, no se detectan errores y no hay datos MODBUS que estén siendo recibidos o transmitidos a través de la línea RS-485.
2. Cuando el LED está en VERDE con ráfagas aleatorias AMBAR, el funcionamiento es normal y ahora se están recibiendo o transmitiendo datos a través de la línea RS-485. El LED ámbar se encenderá al momento de la transmisión de datos.

Diagnóstico a bordo

Código desconocido del sensor

VERDE / OFF alternando cada 500 milisegundos, el MRS-485 no sabe qué tipo de detector es, no hay comunicaciones Modbus es en curso y no se detectan errores.

Para corregir esta condición:

1. Desconecte la línea de alimentación del MRS-485.
2. Desconecte la línea MODBUS del MRS-485.
3. Vuelva a conectar la línea Modbus al MRS-485.
4. Vuelva a conectar la línea de alimentación al MRS-485.

Códigos de error

ROJO, El MRS-485 detectó un error y no hay comunicaciones MODBUS en curso.

ROJO con ráfagas aleatorias AMBAR, el MRS-485 detectó un error y el AMBAR se muestra cuando se reciben o se transmiten datos en la línea RS-485.

Hay una serie de condiciones que se señalan de este modo:

- Los ajustes actuales de EEPROM no iniciaron
- Los ajustes actuales de EEPROM han tenido una suma de comprobación mala
- Los ajustes de fábrica de EEPROM no iniciaron
- Los ajustes de fábrica de EEPROM han tenido una suma de comprobación mala
- Valor desconocido del exponente del sensor
- Reinicio de la vigilancia
- Ajustes de fábrica de EEPROM cargados en los ajustes actuales de EEPROM
- Sensor bloqueado diferente al sensor registrado
- Sensor desconocido porque el registro falló

Códigos de ajuste del interruptor DIP

ROJO / VERDE alternando cada 200 milisegundos indica que el MRS-485 se encuentra en modo de programación y a la espera de que el usuario introduzca ajustes nuevos mediante los 8 interruptores.

ROJO / OFF alternando cada 200 milisegundos indica que la acción de guardar los ajustes nuevos falló.

VERDE / OFF alternando cada 200 milisegundos indica que la acción de guardar los ajustes nuevos tuvo éxito.

ROJO / OFF alternando cada 500 milisegundos indica que la dirección del MODBUS seleccionado no tiene un valor aceptado.

Pruebas de 6-Series

General

El adaptador Macurco MRS-485 convierte la señal analógica 4-20 mA de los detectores de tipo Macurco 6-Series en una señal digital para su uso con sistemas direccionables multipunto. Los procedimientos de prueba de 6-Series pueden utilizarse para asegurarse que el MRS-485 acepta la salida 4-20 mA a las comunicaciones Modbus. Todos los detectores 6-Series se calibran desde la fábrica y son probados al 100% para un funcionamiento correcto. Las unidades también realizan una prueba automática regular durante la operación normal. Si la unidad detecta un voltaje incorrecto o un componente que no funciona, por configuración predeterminada, se pondrá en modo Error: en éste, el relevador del ventilador y de la alarma se activarán, la salida 4-20 mA irá a 24 mA, la unidad mostrará el código de error y el timbre sonará intermitentemente.

Prueba de funcionamiento

Normalmente, esta será la única prueba requerida para los detectores 6-Series y es la forma recomendada para probar la unidad o las unidades después de la instalación. Compruebe que la luz LED verde del detector de funcionamiento se ilumine continuamente. Si no, no continúe con las pruebas. Si la unidad está en modo error póngase en contacto con su representante local o con el servicio técnico de Macurco para obtener información sobre la solución del problema.

1. Retire el tornillo que se encuentra en el centro de la tapa frontal del detector 6-Series.
2. Retire la cubierta frontal.
3. Observe la luz LED en la parte frontal de los detectores 6-Series.
4. Si la luz es verde sólido continúe con el paso 6.
5. Si la luz está apagada o parpadea en verde, vaya a la sección General anterior.
6. Localice el interruptor etiquetado ENTER / TEST del lado izquierdo del tablero del circuito impreso. Pulse el interruptor de prueba una vez.
7. El detector 6-Series iniciará un ciclo de prueba:
 - a. La pantalla avanza a través de **bUZ** (prueba de timbre) **Art** (prueba del relevador de la alarma), **Frt** (prueba del relevador del ventilador), y **42t** (prueba de salida 4-20mA).
 - b. Asegúrese que los ajustes estén en "on" o que no estén deshabilitados "dIS".
 - c. Durante los primeros 10 segundos del ciclo de prueba, la pantalla mostrará BUZ y activará un timbre audible
 - d. El relevador de alarma se cerrará, por lo que todos los dispositivos conectados a ese relevador serán puestos a a prueba.
 - e. El relevador del ventilador se activará para el siguiente minuto de la prueba, por lo que si los circuitos del ventilador están conectados de manera normal, el ventilador debe funcionar.
 - f. Entonces, la salida 4-20 mA subirá de 4 a 16 mA durante los siguientes 130 segundos de la prueba, por lo que si el circuito está cableado de manera normal, el panel de control o el sistema de automatización de edificios debe responder.
 - g. Al final del ciclo de prueba, la luz se pondrá verde y estará estable (operación normal), el relevador del ventilador y el relevador de la alarma estarán en modo de espera y la salida 4-20 mA volverá a 4 mA (en aire limpio).
8. Una vez finalizada la prueba ensamble de nuevo la unidad o las unidades.

Prueba manual de funcionamiento

Esta opción le da al usuario la oportunidad de iniciar manualmente una prueba individual para cada relevador, la salida analógica y el sensor de respuesta a gas. Desde el modo de operación normal, presione el botón "Next" 3 veces para entrar al modo de prueba (TSI). Ya que esté en el menú de prueba, presione el botón "Enter". Presione el botón "Next" para desplazarse entre las cuatro opciones y presione "Enter" para iniciar la prueba seleccionada. Nota: si el relevador o la salida 4-20 mA se desactiva, la prueba seleccionada no se mostrará en el menú de prueba.

Art – Prueba del relevador de la alarma, 10 segundos

Frt – Prueba del relevador del ventilador, 60 segundos

42T -Prueba de bucle 420, 25 segundos

MANTENIMIENTO

El MRS-485 no requiere un mantenimiento regular. Todo el mantenimiento y la reparación de los productos fabricados por Macurco deben ser realizados en las instalaciones de la fábrica Maruco. Macurco no sancionará a ninguna instalación externa de reparación.

ADVERTENCIA

No desarme la unidad ni intente reparar o modificar ninguno de los componentes de este instrumento. Este instrumento no contiene ninguna pieza que el usuario pueda reparar, y la sustitución de componentes puede afectar el rendimiento del producto, e **incluso casionar enfermedad o muerte.**

PRECAUCIÓN

Evite el uso de materiales de limpieza agresivos, de abrasivos y de otros solventes orgánicos, estos materiales pueden rayar las superficies permanentemente y dañar las etiquetas de los LEDs o la caja del instrumento.

Limpieza

La limpieza de las superficies externas se realiza mejor con un paño húmedo con detergente suave o jabón. Utilice una aspiradora con un cepillo suave para eliminar el polvo o la contaminación. No apague el sensor con aire comprimido.

GARANTÍA LIMITADA PARA PRODUCTOS DE DETECCIÓN DE GAS FIJO DE MACURCO

Macurco garantiza que el adaptador MRS-485 estará libre de defectos de materiales y mano de obra por un período de dos (2) años a partir de la fecha de fabricación (indicado en la cubierta del MRS-485), siempre y cuando reciba el mantenimiento y se utilice de acuerdo a las instrucciones y/o recomendaciones de Maruco. Si algún componente resulta defectuoso durante el período de garantía, será reemplazado o reparado sin cargo, si la unidad se regresa de acuerdo con las siguientes instrucciones. Esta garantía no se aplica a las unidades que hayan sido alteradas, se haya intentado reparar o se hayan sometido a buso, accidentes o algún otro tipo de daño. Esta garantía sustituye a cualquier otra garantía, obligación o responsabilidad expresa. LAS GARANTÍAS IMPLÍCITAS DE COMERCIALIZACIÓN E IDONEIDAD PARA UN FIN DETERMINADOS ESTÁN LIMITADAS A UN PERIODO DE (2) AÑOS A PARTIR DE LA FECHA DE COMPRA. Macurco no será responsable de ningún daño fortuito o imprevisto debido a la violación de esta o cualquier otra garantía, expresa o implícita, que surja o esté relacionada con el uso de dicho detector de gas. La responsabilidad del fabricante o de sus agentes estará limitada al reemplazo o reparación tal como se indicó en los párrafos anteriores. El único y exclusivo recurso del comprador es regresar los productos y volver a pagar el precio, la reparación o la sustitución de los productos o partes que no cumplan los requisitos de la garantía.

Fabricado por Aerionics, Inc.

Sioux Falls, SD

Correo electrónico: info@aerionicsinc.com

Teléfono: 1-877-367-7891

Rev 06.29.2015

© Aerionics 2015. Todos los derechos reservados.

Macurco es una marca comercial de Aerionics, Inc.



GAS DETECTION
Macurco

MACURCO

GAS DETECTION

Macurco™ Modbus® RS-485 adaptateur MRS-485 Instructions d'utilisation



IMPORTANT: Conservez ces instructions d'utilisation pour référence

TABLE DES MATIÈRES

INFORMATIONS GÉNÉRALES DE SÉCURITÉ	3
Utilisation prévue	3
Liste des avertissements et des précautions	3
MODE D'EMPLOI ET LIMITATIONS	3
Utilisation	3
Utilisation interdit	3
Description générale	4
Caractéristiques	4
Spécifications	4
INSTALLATION ET INSTRUCTIONS D'UTILISATION	5
Emplacement	5
Installation	5
Point de vue arrière détaillé	5
Point de vue de devant détaillé	6
Connexion	6
Câblage	7
Fil Signal	7
Topologie	7
Schéma de raccordement typique	7
Longueur	8
Mise à la terre	8
Courant	8
Commutateurs DIP et leurs adressage	8
Commutateur DIP (image)	8
Réglages	9
Programmation	9
Terminaison de ligne	10
MRS-485 (image détaillée)	10
Tableau de Paramètres des commutateurs DIP	11
Allumage	12
Points d'essai 4-20mA	12
Fonctionnement	12
Fonctionnement normal	12
Diagnostic embarqué	13
Codes d'erreur	13
Codes de paramètres DIP	13
Test	14
Général	14
Test de fonctionnement	14
Test d'opération manuelle	14
ENTRETIEN	15
Nettoyage	15
GARANTIE LIMITER DES PRODUITS FIXE DE DETECTION DE GAZ MACURCO	16

INFORMATIONS GÉNÉRALES DE SÉCURITÉ

Utilisation prévue

L'adaptateur Macurco MRS-485 est un accessoire utilisé pour convertir le signal analogique 4-20 mA à partir des détecteurs Macurco de type 6-Série à un signal numérique pour une utilisation avec les systèmes adressables multipoints. Le Macurco MRS-485 se branche simplement sur le dos du détecteur et une seule vis le fixe en place. Le MRS-485 accepte la sortie 4-20 mA et est alimenté à partir de la même connexion que le détecteur. Le MRS-485 a la capacité d'interface avec systèmes d'automatisation du bâtiment, panneaux de commande ou autres dispositifs de commande qui acceptent des communications Modbus.

Liste des avertissements et des précautions dans ces instructions d'utilisation



AVERTISSEMENT

- Chaque personne utilisant cet équipement doit lire et comprendre les informations contenues dans ces instructions d'utilisation avant l'utilisation. L'utilisation de ce matériel par des personnes ne sont pas enseignée ou qualifiées, ou de l'utilisation qui n'est pas conforme à ces instructions d'utilisation, peut nuire à la performance du produit et **entraîner des maladies ou la mort.**
- Cet appareil ne peut pas fonctionner efficacement au-dessous de 0 ° F ou au-dessus de 125 ° F (-18 ° C ou au-dessus de 52 ° C). Utilisation du détecteur à l'extérieur de cette gamme de température peut affecter les performances du produit et **entraîner des maladies ou la mort.**
- Ne démontez pas l'unité ou de tenter de réparer ou de modifier tout composant de cet instrument. Cet instrument ne contient aucune pièce réparable par l'utilisateur, et la substitution de composants peut nuire à la performance du produit et **entraîner des maladies ou la mort.**

INSTRUCTIONS D'UTILISATION ET LES INTERDICTIONS



AVERTISSEMENT

Chaque personne utilisant cet équipement doit lire et comprendre les informations contenues dans ces instructions d'utilisation avant l'utilisation. L'utilisation de ce matériel par des personnes ne sont pas enseignée ou qualifiées, ou de l'utilisation qui n'est pas conforme à ces instructions d'utilisation, peut nuire à la performance du produit et **entraîner des maladies ou la mort.**

Utilisation

Le Macurco MRS-485 adaptateur convertit la sortie analogique Macurco Série 6 4-20 mA à une sortie numérique pour une utilisation avec les systèmes de réseau adressables. Le Macurco Série 6 est une famille de produits entièrement programmable de basse tension, qui inclus deux détecteurs de gaz de relais, des contrôleurs et des transducteurs pour BAS, CVC et des applications feu & sécurité. Les détecteurs de la série 6 sont utilisés pour mesurer la concentration de gaz différents et fournir une rétroaction et de contrôle automatique pour aider à assurer un environnement sécuritaire: monoxyde de carbone, méthane, propane, hydrogène, dioxyde d'azote et d'autres gaz.

Interdictions

Le MRS-485 n'est pas destiné à une utilisation dans des endroits dangereux ou des applications industrielles telles que les raffineries, les usines chimiques, etc. Ne pas monter les MRS-485 où la température ambiante normale est inférieure à 0 ° F ou supérieure à 125 ° F (-18 ° C ou supérieure à 52 ° C). Les MRS-485 se monte sur un détecteur Macurco Série 6 installés sur un « 4x4 » boîte électrique, fournie par l'entrepreneur.



AVERTISSEMENT

Cet appareil ne peut pas fonctionner efficacement au-dessous de 0 ° F ou au-dessus de 125 ° F (-18 ° C ou au-dessus de 52 ° C). Utilisation du détecteur à l'extérieur de cette gamme de température peut affecter les performances du produit et **entraîner des maladies ou la mort**.

Description Générale

L'adaptateur Macurco MRS-485 est un accessoire utilisé pour convertir le signal analogique 4-20 mA à partir des détecteurs Macurco de type 6-Series à un signal numérique pour une utilisation avec les systèmes adressables multipoints. Le Macurco MRS-485 se branche simplement sur le dos du détecteur et une seule vis le fixe en place. Le MRS-485 accepte la sortie 4-20 mA et est alimenté à partir de la même connexion que le détecteur. Le MRS-485 a la capacité d'interface avec des systèmes d'automatisation du bâtiment, des panneaux de commande ou autres dispositifs de commande qui acceptent des communications Modbus.

Caractéristiques

- Le Macurco MRS-485 interface les centrales de détection et 4-20 mA lignes de sortie avec un connecteur monté
- Le type de capteur MRS-485 moniteurs, niveau de gaz et d'état de la difficulté à les communications de chacun des détecteurs Macurco 6-Series
- La communication est sur une ligne série Modbus avec une interface électrique "deux fils" en conformité avec la norme EIA / TIA-485 standard à l'aide
- Mode de transmission RTU
- Enclos de type commercial pour protéger et soutenir l'électronique
- Une diode électroluminescente (DEL) tricolore indique l'état d'alimentation, de test et de la communication
- Montures derrière le détecteur à l'intérieur d'une boîte électrique standard de 4 "x 4"
- Maintenu en place à l'arrière du détecteur 6-Series avec une seule vis
- 8 bits sélecteur de commutateur DIP
- Terminaison RS-485 utilise un connecteur à 4 broches avec cavalier pour sélectionner la résiliation: L'utilisateur sélectionne pas la résiliation ou l'un des deux options de terminaison de ligne Modbus
- Connexions de communication comprennent signal (A et B), les terminaux communs et bouclier
- Conçu pour une utilisation dans les zones non-dangereux, tels que les garages de stationnement, entrepôts ou autres installations commerciales

Caractéristiques

- L'énergie et du courant (avec détecteur): 3.25W (max) de 12 à 24 VAC ou VDC, 85mA en alarme, 60mA relais de ventilateur allumer et 33mA en attente @ 24 VDC
- Poids: 0,25 lb (0,11 kg)
- Taille: 3 1/2 x 2 x 1 3/4 po (8,9 X 5,1 X 4,4 cm).
- Environnement de fonctionnement: 0 ° F à 125 ° F (-18 ° C à +52 ° C), 10 à 90% sans condensation
- Connexions: fiches / bornes
- Couleur: Noir
- Vis de fixation et un tournevis inclus
- MRS-485 fonctionne en mode Modbus RTU Transmission
- Baud Tarif: 4800, 9600, 19200 (par défaut), 38400, 57600, 115200
- Parité: impaire, paire (par défaut) et aucun

INSTALLATION ET INSTRUCTIONS D'UTILISATION

Les instructions suivantes sont destinées à servir de guide pour l'utilisation de la Macurco Modbus RS-485 adaptateur MRS-485. Il ne doit pas être considéré comme tout compris, il ne vise pas à remplacer la politique et les procédures pour chaque installation. Si vous avez des doutes sur l'applicabilité de l'équipement à votre situation, appelez le Service technique au 1-877-367-7891.

Emplacement

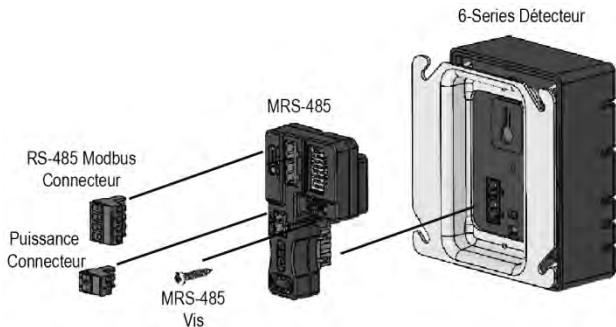
Faites référence aux instructions d'utilisation du détecteur de gaz Macurco Série 6 spécifique à laquelle le MRS-485 sera connecté.

Installation

Détection de gaz

L'adaptateur Macurco MRS-485 convertit la sortie analogique Macurco Série 6 4-20 mA à une sortie numérique pour une utilisation avec les systèmes de réseau adressables. Le Macurco Série 6 est une famille de produits entièrement programmable de basse tension, qui inclut deux détecteurs de gaz de relais, des contrôleurs et des transducteurs pour BAS, CVC et des applications feu & sécurité. Les détecteurs de la série 6 sont utilisés pour mesurer la concentration de gaz différents et fournir une rétroaction et de contrôle automatique pour aider à assurer un environnement sécuritaire: monoxyde de carbone, méthane, propane, hydrogène, dioxyde d'azote et d'autres gaz.

1. Retirez le bouchon / Puissance 4-20 mA du détecteur de gaz Macurco Série 6
2. Branchez l'adaptateur MRS-485 dans la douille vide.
3. Installez la vis MRS-485 fourni.
4. Voir le schéma de câblage pour le branchement électrique.



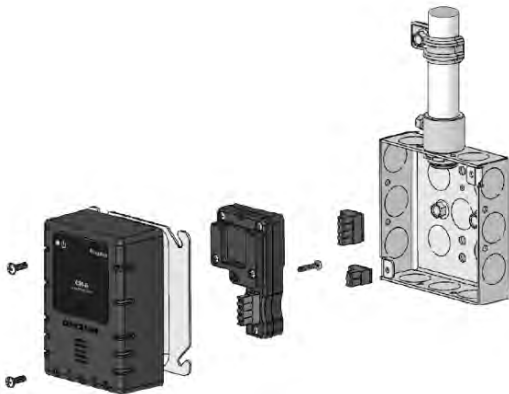
1. Le détecteur Série 6 se monte sur une boîte électrique 4x4, fournis par l'entrepreneur.
2. Connectez le détecteur par les câbles de commande avec des bouchons terminaux. Lors des connexions, assurez-vous que l'alimentation est coupée.

- Il y a deux terminaux pour les contacts de relais d'alarme secs, à nouveau avec aucune préférence de polarité. Le relais d'alarme peut commuter jusqu'à 0,5 A 120 V, ou 60 VA. Le relais d'alarme est activé si le gaz atteint ou dépasse les paramètres d'alarme. Voir la section d'Instructions pour l'utilisateur du fonctionnement du détecteur pour plus de détails sur les réglages du relais.
- Le relais d'alarme peut être configuré pour normalement ouvert (par défaut) (NO) ou normalement fermé (NC) et activera si la concentration de gaz dépasse le point de consigne d'alarme. Il va désactiver une fois que la concentration de gaz tombe sous le point de consigne d'alarme. Notez que le réglage "désactiver" fera que le relais d'alarme n'activera pas de tout.
- Le contact sec, SPDT ventilateur relais dispose de trois terminaux. La commune (COM.), Normalement ouvert (NO) et Contact (NC) normalement fermé. Le relais de ventilateur peut basculer jusqu'à 5,0 A à 240 VAC. Voir la section d'instructions pour l'utilisateur du détecteur pour plus de détails sur les réglages du relais.

Connexion

La sortie Macurco MRS-485 est reliée par une borne quatre connecteurs de type à vis. L'adaptateur MRS-485 est câblé dans la définition des circuits 2W-Modbus standard avec sélectionnable intégré résistances de terminaison aux extrémités du bus RS-485. L'alimentation de l'adaptateur MRS-485 est connectée via un terminal connecteur de type à vis de deux, de 12 à 24 VAC ou 12 à 24 VDC et pas de polarité.

Remarque: L'exécution du câble Modbus à côté, ou dans le même conduit avec des fils à haute tension est déconseillé car il peut y avoir ingérence des hautes tensions. La polarisation de ligne ne devrait pas être nécessaire pour le MRS-485 mais peut être exigé pour d'autres appareils sur la ligne RS485 - voir les instructions du fabricant.



Câblage

Fil Signal

Un câble Modbus sur ligne série doit être blindé pour de meilleures performances. Le blindage doit être connecté à chaque borne de détecteur à SHD et reliée à une borne de masse ou au châssis seulement à une extrémité du bus. Un RS485-Modbus doit utiliser une paire équilibrée (pour AB) et un troisième fil (pour la commune). Pour un RS485-Modbus, calibre de fils doit être suffisamment large pour permettre à la longueur maximale de 1000 m (3281 pi). AWG 24 est toujours suffisante pour les données Modbus. Les câbles de catégorie 5 peuvent fonctionner pour RS485-Modbus, d'une longueur maximale de 600 m (1968,5 pi). Pour les paires symétriques utilisées dans un système RS485, fil avec une impédance caractéristique supérieure à 100 Ohms sera préférable, en particulier pour les vitesses de transmission de 19200 et supérieur.

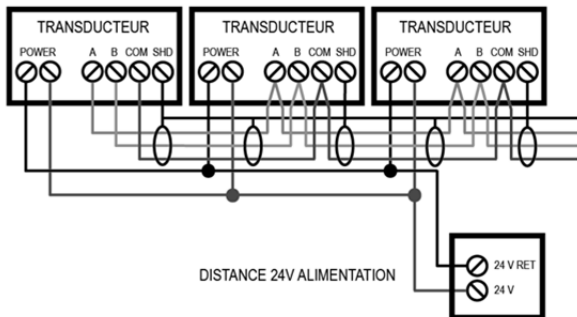
Remarque: Il est toujours recommandé d'utiliser des fils torsadés pour réduire le bruit et de permettre une communication fiable des données sur des distances plus grandes. Utilisez un fil d'au moins 3 conducteurs avec une paire torsadée fournissant une paire de signaux (A & B) et (COM) connexions communes.

Pour une meilleure performance, utilisez des câbles blindés à 3 conducteurs avec une paire torsadée fournissant une paire de signaux (A & B), fréquent (COM) et la terre de protection (SHD) des connexions.

Topologie

Une configuration RS485 MODBUS sans répéteur a un câble principal, le long de laquelle les périphériques sont connectés directement (chainage) ou par des câbles de dérivation courts. Le câble tronc, aussi nommé BUS, peut être long. Ses deux extrémités doivent être connectées sur les terminaisons de ligne. (Voir terminaison de ligne - Fin de la section de ligne Résistance). L'utilisation de répéteurs entre plusieurs RS485 MODBUS est également possible.

CONNEXION TYPIQUE DE LA MRS-485



Longueur

L'extrémité de la longueur d'extrémité du câble principal doit être limitée. La longueur maximale dépend de la vitesse de transmission, le câble (Gauge, capacité ou Impédance caractéristique), le nombre de charges sur la chaîne, et de la configuration du réseau (2 fils). Pour un maximum de 9600 bauds et AWG26 (ou plus) de calibre, la longueur maximale est de 1000 m (3281 pi). Les dérivations doivent être courtes, jamais plus de 20 m (65.5 pi). Si un robinet multiport est utilisé avec dérivation n, chacun doit respecter une longueur maximale de 40 m (131 pi) divisé par n.

Échouage

Le circuit commun (COM) doit être relié directement à la terre de protection, de préférence en un seul point pour l'ensemble du bus.

Câble d'alimentation

Tous les câblages sont complétés par des connecteurs modulaires (fourni). Après le câblage, il suffit de brancher les connecteurs modulaires dans les connecteurs correspondants sur le MRS-485. Les connexions d'alimentation aux détecteurs montés à distance devraient être de taille AWG18 (minimum) pour les petites séries. Lorsque les détecteurs Macurco sont conçus pour fonctionner entre 12 et 24 VDC ou VAC, la chute de tension entre l'alimentation et le MRS-485 ne devrait pas être un problème si les lignes directrices de jauge de câbles d'alimentation recommandées ci-dessous sont respectées. Les bornes acceptent des fils de 16 à 28 AWG. Pour installer un fil, dénudez environ 0,25. (6 mm) d'isolation, et insérer le fil dénudé dans la borne. Serrez le vis de serrage et assurez que le fil ne peut pas être facilement retiré du connecteur.

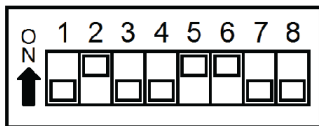
Longueur maximale

<u>Le calibre du fil</u>	<u>pieds</u>	<u>mètres</u>
18	500	152
16	800	244
14	1250	381

Commutateurs DIP et adressage

Chaque MRS-485 (et le détecteur de gaz partenaire) doivent être configurés pour une adresse unique. S'il y a 10 détecteurs sur la ligne série, 10 adresses uniques doivent être utilisées, un pour chaque détecteur. Pour définir l'adresse utiliser les huit positions des commutateurs DIP. Pour chaque unité il faut choisir la valeur de 1 à 247 (voir tableau) et définissez les huit commutateurs pour correspondre à l'adresse. **EN HAUT** signifie **ON** ou **1**, et **EN BAS** signifie **OFF** ou **0**. Par exemple, pour configurer une unité avec l'adresse « 50 », réglez les commutateurs 2, 5, 6 (voir tableau) à ON ou dans la position vers le haut (01001100).

Voir page 11 pour une liste d'adresses et paramètres applicables aux commutateurs DIP.



Configurer unité avec l'adresse "50"

Modification des paramètres MRS-485

Les commutateurs DIP sont pour définir l'adresse Modbus et sont également utilisés pour modifier les paramètres MRS-485. Les adresses Modbus valides sont comprises entre 1 et 247, où le commutateur 1 est le bit le moins significatif (LSB) et le commutateur 8 est le bit le plus significatif (MSB). L'adresse 254 est utilisée pour placer le MRS-485 en mode de programmation et le reste d'adresses (248 à 253, 255, 0) sont des adresses de MODBUS invalides.

Mode de programmation

Lorsque l'adresse est réglée à 254 le MRS-485 passe en mode de programmation et le modèle DEL: alternatif ROUGE / VERT toutes les 200 millisecondes, indique que le MRS-485 est prêt et en attente pour l'utilisateur d'entrer de nouveaux paramètres en utilisant les 8 commutateurs. En utilisant les 8 commutateurs, l'utilisateur peut modifier les paramètres de communication comme la vitesse de transmission et la parité ainsi que le comportement de l'enregistrement.

Lorsque l'on regarde les commutateurs avec le marquage "Adresse" sur le dessus, les commutateurs sont définis de gauche à droite comme:

- Commutateurs 8, 7 et 6 sont utilisés pour modifier la vitesse de transmission
- Commutateurs 5 et 4 sont utilisés pour modifier la parité
- Commutateurs 3 et 2 sont utilisés pour modifier le mode d'enregistrement
- Commutateur 1 est utilisé pour demander à enregistrer les nouveaux paramètres

<u>Commutateur 8</u>	<u>Commutateur 7</u>	<u>Commutateur 6</u>	<u>Description</u>
OFF	OFF	OFF	Vitesse de transmission par défaut (19200 Bd)
OFF	OFF	ON	4800 Bd
OFF	ON	OFF	9600 Bd
OFF	ON	ON	19200 Bd (valeur par défaut)
ON	OFF	OFF	38400 Bd
ON	OFF	ON	57600 Bd
ON	ON	OFF	115200 Bd
ON	ON	ON	Ne pas changer

<u>Commutateur 5</u>	<u>Commutateur 4</u>	<u>Description</u>
OFF	OFF	Parité par défaut (EVEN)
OFF	ON	Parité est impaire
ON	OFF	La parité est NONE
ON	ON	Ne pas changer

Le mode d'enregistrement peut être verrouillé ou déverrouillé. MRS-485 utilise toujours des données à partir d'un enregistrement valide, mais lorsque l'enregistrement est verrouillé, il sera également comparer à la valeur enregistrée par la nouvelle et définir un indicateur si elle est différente. De cette façon, en lisant l'indication, vous pouvez vérifier si elle est un type de capteur et vous obtenez toujours des données sur le capteur qui est présent.

<u>Commutateur 3</u>	<u>Commutateur 2</u>	<u>Description</u>
OFF	OFF	Mode d'enregistrement par défaut (enregistrement automatique)
OFF	ON	L'enregistrement non verrouillé (valeur par défaut)
ON	OFF	Inscription est verrouillée
ON	ON	Ne changer pas

Réglez les commutateurs aux valeurs désirée, puis réglez le commutateur 1 sur ON, puis OFF, et les nouveaux paramètres seront enregistrés dans EERPOM.

Le résultat de l'opération d'enregistrement est affiché sur le DEL: Rouge / Alternant toutes les 200 millisecondes indique que sauver les nouveaux paramètres a échoué et alternatif VERT / OFF toutes les 200 millisecondes indique que sauver les nouveaux paramètres a passés. Une fois les nouveaux paramètres ont passé, définir l'adresse de l'appareil à l'aide des commutateurs d'adresses.

Terminaison de ligne - Terminaison de ligne Résistance

L'adaptateur MRS-485 est câblé dans la définition des circuits 2W-Modbus standard avec résistances de terminaison sélectionnable intégré aux extrémités du bus RS-485. Le MRS-485 fournit une terminaison intégrée pour résistances de fin de ligne (EOL). La résiliation MRS-485 utilise un connecteur à 4 broches avec cavalier pour sélectionner la résiliation: L'utilisateur ne sélection pas la résiliation ou l'une des deux options de terminaison de ligne Modbus. Le MRS485 a deux options de terminaison de ligne fournis à bord qui devrait couvrir la plupart des situations.

Placez le cavalier EOL sur l'un des postes suivants:

1 = 100 ohm

2 = 120 ohm

N = Aucun terminaison (par défaut)

Si les exigences de terminaison de ligne sont différentes de ceux fournis, la terminaison de ligne devra être fournie par l'installateur.



1 = 1	51 = 1, 2, 5, 6	101 = 1, 3, 6, 7	151 = 1, 2, 3, 5, 8	201 = 1, 4, 7, 8
2 = 2	52 = 3, 5, 6	102 = 2, 3, 6, 7	152 = 4, 5, 8	202 = 2, 4, 7, 8
3 = 1, 2	53 = 1, 3, 5, 6	103 = 1, 2, 3, 6, 7	153 = 1, 4, 5, 8	203 = 1, 2, 4, 7, 8
4 = 3	54 = 2, 3, 5, 6	104 = 4, 6, 7	154 = 2, 4, 5, 8	204 = 3, 4, 7, 8
5 = 1, 3	55 = 1, 2, 3, 5, 6	105 = 1, 4, 6, 7	155 = 1, 2, 4, 5, 8	205 = 1, 3, 4, 7, 8
6 = 2, 3	56 = 4, 5, 6	106 = 2, 4, 6, 7	156 = 3, 4, 5, 8	206 = 2, 3, 4, 7, 8
7 = 1, 2, 3	57 = 1, 4, 5, 6	107 = 1, 2, 4, 6, 7	157 = 1, 3, 4, 5, 8	207 = 1, 2, 3, 4, 7, 8
8 = 4	58 = 2, 4, 5, 6	108 = 3, 4, 6, 7	158 = 2, 3, 4, 5, 8	208 = 5, 7, 8
9 = 1, 4	59 = 1, 2, 4, 5, 6	109 = 1, 3, 4, 6, 7	159 = 1, 2, 3, 4, 5, 8	209 = 1, 5, 7, 8
10 = 2, 4	60 = 3, 4, 5, 6	110 = 2, 3, 4, 6, 7	160 = 6, 8	210 = 2, 5, 7, 8
11 = 1, 2, 4	61 = 1, 3, 4, 5, 6	111 = 1, 2, 3, 4, 6, 7	161 = 1, 6, 8	211 = 1, 2, 5, 7, 8
12 = 3, 4	62 = 2, 3, 4, 5, 6	112 = 5, 6, 7	162 = 2, 6, 8	212 = 3, 5, 7, 8
13 = 1, 3, 4	63 = 1, 2, 3, 4, 5, 6	113 = 1, 5, 6, 7	163 = 1, 2, 6, 8	213 = 1, 3, 5, 7, 8
14 = 2, 3, 4	64 = 7	114 = 2, 5, 6, 7	164 = 3, 6, 8	214 = 2, 3, 5, 7, 8
15 = 1, 2, 3, 4	65 = 1, 7	115 = 1, 2, 5, 6, 7	165 = 1, 3, 6, 8	215 = 1, 2, 3, 5, 7, 8
16 = 5	66 = 2, 7	116 = 3, 5, 6, 7	166 = 2, 3, 6, 8	216 = 4, 5, 7, 8
17 = 1, 5	67 = 1, 2, 7	117 = 1, 3, 5, 6, 7	167 = 1, 2, 3, 6, 8	217 = 1, 4, 5, 7, 8
18 = 2, 5	68 = 3, 7	118 = 2, 3, 5, 6, 7	168 = 4, 6, 8	218 = 2, 4, 5, 7, 8
19 = 1, 2, 5	69 = 1, 3, 7	119 = 1, 2, 3, 5, 6, 7	169 = 1, 4, 6, 8	219 = 1, 2, 4, 5, 7, 8
20 = 3, 5	70 = 2, 3, 7	120 = 4, 5, 6, 7	170 = 2, 4, 6, 8	220 = 3, 4, 5, 7, 8
21 = 1, 3, 5	71 = 1, 2, 3, 7	121 = 1, 4, 5, 6, 7	171 = 1, 2, 4, 6, 8	221 = 1, 3, 4, 5, 7, 8
22 = 2, 3, 5	72 = 4, 7	122 = 2, 4, 5, 6, 7	172 = 3, 4, 6, 8	222 = 2, 3, 4, 5, 7, 8
23 = 1, 2, 3, 5	73 = 1, 4, 7	123 = 1, 2, 4, 5, 6, 7	173 = 1, 3, 4, 6, 8	223 = 1, 2, 3, 4, 5, 7, 8
24 = 4, 5	74 = 2, 4, 7	124 = 3, 4, 5, 6, 7	174 = 2, 3, 4, 6, 8	224 = 6, 7, 8
25 = 1, 4, 5	75 = 1, 2, 4, 7	125 = 1, 3, 4, 5, 6, 7	175 = 1, 2, 3, 4, 6, 8	225 = 1, 6, 7, 8
26 = 2, 4, 5	76 = 3, 4, 7	126 = 2, 3, 4, 5, 6, 7	176 = 5, 6, 8	226 = 2, 6, 7, 8
27 = 1, 2, 4, 5	77 = 1, 3, 4, 7	127 = 1, 2, 3, 4, 5, 6, 7	177 = 1, 5, 6, 8	227 = 1, 2, 6, 7, 8
28 = 3, 4, 5	78 = 2, 3, 4, 7	128 = 8	178 = 2, 5, 6, 8	228 = 3, 6, 7, 8
29 = 1, 3, 4, 5	79 = 1, 3, 4, 7	129 = 1, 8	179 = 1, 2, 5, 6, 8	229 = 1, 3, 6, 7, 8
30 = 2, 3, 4, 5	80 = 5, 7	130 = 2, 8	180 = 3, 5, 6, 8	230 = 2, 3, 6, 7, 8
31 = 1, 2, 3, 4, 5	81 = 1, 5, 7	131 = 1, 2, 8	181 = 1, 3, 5, 6, 8	231 = 1, 2, 3, 6, 7, 8
32 = 6	82 = 2, 5, 7	132 = 3, 8	182 = 2, 3, 5, 6, 8	232 = 4, 6, 7, 8
33 = 1, 6	83 = 1, 2, 5, 7	133 = 1, 3, 8	183 = 1, 2, 3, 5, 6, 8	233 = 1, 4, 6, 7, 8
34 = 2, 6	84 = 3, 5, 7	134 = 2, 3, 8	184 = 4, 5, 6, 8	234 = 2, 4, 6, 7, 8
35 = 1, 2, 6	85 = 1, 3, 5, 7	135 = 1, 2, 3, 8	185 = 1, 4, 5, 6, 8	235 = 1, 2, 4, 6, 7, 8
36 = 3, 6	86 = 2, 3, 5, 7	136 = 4, 8	186 = 2, 4, 5, 6, 8	236 = 3, 4, 6, 7, 8
37 = 1, 3, 6	87 = 1, 2, 3, 5, 7	137 = 1, 4, 8	187 = 1, 2, 4, 5, 6, 8	237 = 1, 3, 4, 6, 7, 8
38 = 2, 3, 6	88 = 4, 5, 7	138 = 2, 4, 8	188 = 3, 4, 5, 6, 8	238 = 2, 3, 4, 6, 7, 8
39 = 1, 2, 3, 6	89 = 1, 4, 5, 7	139 = 1, 2, 4, 8	189 = 1, 2, 3, 4, 5, 6, 8	239 = 1, 2, 3, 4, 6, 7, 8
40 = 4, 6	90 = 2, 4, 5, 7	140 = 3, 4, 8	190 = 2, 3, 4, 5, 6, 8	240 = 5, 6, 7, 8
41 = 1, 4, 6	91 = 1, 2, 4, 5, 7	141 = 1, 3, 4, 8	191 = 1, 2, 3, 4, 5, 6, 8	241 = 1, 5, 6, 7, 8
42 = 2, 4, 6	92 = 3, 4, 5, 7	142 = 2, 3, 4, 8	192 = 7, 8	242 = 2, 5, 6, 7, 8
43 = 1, 2, 4, 6	93 = 1, 3, 4, 5, 7	143 = 1, 2, 3, 4, 8	193 = 1, 7, 8	243 = 1, 2, 5, 6, 7, 8
44 = 3, 4, 6	94 = 2, 3, 4, 5, 7	144 = 5, 8	194 = 2, 7, 8	244 = 3, 5, 6, 7, 8
45 = 1, 3, 4, 6	95 = 1, 2, 3, 4, 5, 7	145 = 1, 5, 8	195 = 1, 2, 7, 8	245 = 1, 3, 5, 6, 7, 8
46 = 2, 3, 4, 6	96 = 6, 7	146 = 2, 5, 8	196 = 3, 7, 8	246 = 2, 3, 5, 6, 7, 8
47 = 1, 2, 3, 4, 6	97 = 1, 6, 7	147 = 1, 2, 5, 8	197 = 1, 3, 7, 8	247 = 1, 2, 3, 5, 6, 7, 8
48 = 5, 6	98 = 2, 6, 7	148 = 3, 5, 8	198 = 2, 3, 7, 8	254 = 2, 3, 4, 5, 6, 7, 8
49 = 1, 5, 6	99 = 1, 2, 6, 7	149 = 1, 3, 5, 8	199 = 1, 2, 3, 7, 8	
50 = 2, 5, 6	100 = 3, 6, 7	150 = 2, 3, 5, 8	200 = 4, 7, 8	

Allumage

Le détecteur Macurco série 6 cycle à travers d'un autotest interne pour la première minute qu'il est alimenté. L'unité exécutera le cycle d'essai de courant chaque fois le courant est parti et rallumé (c.-à-panne de courant). Pendant le cycle d'autotest, l'unité affichera le numéro de version du firmware, puis comptera de 60 à 0 (si le réglage de l'affichage est «On») et enfin entrera dans le fonctionnement normal. Le relais d'alarme sera activé pendant 10 secondes et le relais du ventilateur pendant 60 secondes pendant le cycle de mise sous tension à moins que l'option "Power Up Test" (PUT) est OFF. Le voyant (DEL) clignote en vert pendant le cycle d'autotest. A la fin du cycle d'une minute, l'unité aura son premier échantillon de l'air et le voyant passe au vert solide.

Le MRS-485 est un adaptateur qui permet la lecture d'un détecteur de gaz Série 6 sur une interface Modbus. Pour ce faire, le MRS-485 surveille le courant de sortie de 4 à 20 mA du détecteur. Au démarrage et au cours de sa période d'échauffement, le détecteur Série 6 fera connaître son type de capteur sur la sortie courant 4-20 en utilisant un protocole personnalisé. Le MRS-485 enregistrera automatiquement chaque détecteur Série 6 comme il est programmé avec des informations sur tous les détecteurs à laquelle il peut être connecté. Le MRS-485 utilise ces informations pour déterminer le niveau de gaz détecté par le détecteur 6 de la série par la mesure de la sortie de courant en boucle de 4 à 20 mA pendant le fonctionnement normal du détecteur.

Points d'essai 4-20 mA

Le MRS-485 a deux points d'essai marqué 1 et 2. Celles-ci sont prévus pour tester la sortie analogique 4-20 mA directement à partir du détecteur, en utilisant un appareil de mesure et des sondes, sans avoir besoin de retirer le MRS-485 à partir du détecteur. Voir la section Test pour plus de détails.

Opération

1. Avec la fonction d'affichage réglé sur « On », le détecteur 6-série montrera la concentration actuelle de gaz ou de "0" (zéro) dans l'air propre. Quand la concentration de gaz atteint le relais de ventilateur réglage, l'affichage clignote entre «fan» et la concentration. Avec la fonction d'affichage fermé « Off », l'affichage ne montre pas la concentration de gaz, mais montrera « fan » aussi longtemps que le relais de ventilateur est activé.
2. Avec la fonction d'affichage réglé sur « On » et la concentration de gaz atteint le réglage relais d'alarme, l'affichage clignote entre « ALr » et cette concentration. La sirène retentit indiquant « Alarme » si la sirène est réglé sur « On ». Avec la fonction d'affichage désactivé, l'affichage ne montre pas la concentration de gaz, mais montrera « ALr » lorsque le relais d'alarme est activé.
3. Avec la fonction 4-20 mA réglé sur « On » et l'escalade de la concentration de gaz, le signal 4-20 mA connaîtra une accélération correspondant à la concentration. L'écran affichera «fan» et «ALr» et le son sera comme il est indiqué ci-dessus. Le MRS-485 va surveiller le courant 4-20 mA sortie du détecteur. Le MRS-485 dispose d'une DEL tricolore (rouge, vert et ambre) qui est utilisé pour afficher l'état du système.

Fonctionnement Normal

1. Lorsque le voyant est vert, le fonctionnement est normal, le MRS-485 sait le type de détecteur, aucunes erreurs sont détectées et aucune donnée MODBUS sont reçus ou émis sur la ligne RS-485.
2. Lorsque le voyant est vert avec des éclats aléatoires d'AMBRE, le fonctionnement est normal et maintenant des données sont en cours de réception ou de transmission sur la ligne RS-485. La DEL AMBRE viendra le moment qu'il y a un transfert de données.

Diagnostic embarqué

Code de capteur inconnu

VERT / OFF Alternant toutes les 500 millisecondes - Le MRS-485 ne connaît pas le type de détecteur, aucune communication Modbus est en cours et aucun erreur sont détectées.

Pour corriger ce problème:

1. Débrancher la ligne d'alimentation de la MRS-485.
2. Débrancher la ligne MODBUS du MRS-485.
3. Rebranchez la ligne Modbus au MRS-485.
4. Rebranchez la ligne d'alimentation à la MRS-485.

Codes d'erreur

ROUGE solide - Le MRS-485 a détecté une erreur et aucune communication Modbus n'est en cours.

ROUGE avec rafales aléatoires d'AMBRE - Le MRS-485 a détecté une erreur et AMBRE est affiché lorsque les données sont reçues ou émises sur la ligne RS-485.

Il y a un certain nombre de conditions qui sont signalées de cette manière:

- Paramètres EEPROM actuelles pas initialisés
- Paramètres EEPROM actuelles ont un mauvais « checksum »
- Paramètres EEPROM de l'usine ne sont pas initialisés
- Paramètres de l'EEPROM de l'usine ont un mauvais « checksum »
- Valeur de l'exposant de capteur inconnu
- réinitialisation du système observateur
- Paramètres EEPROM de l'usine enregistré dans les paramètres EEPROM actuels
- Type de capteur verrouillé différent que le capteur enregistré
- Type de capteur inconnu, car l'enregistrement a échoué

Codes des paramètres DIP

ROUGE / VERT en alternance toutes les 200 millisecondes indique que MRS-485 est en mode de programmation et d'attente pour l'utilisateur d'entrer les nouveaux paramètres en utilisant les 8 commutateurs.

ROUGE / OFF alternant toutes les 200 millisecondes indique que sauvegarder les nouveaux paramètres ont échoué.

VERT / OFF alternant toutes les 200 millisecondes indique que sauvegarder les nouveaux paramètres passés.

ROUGE / OFF alternant toutes les 500 millisecondes indique que l'adresse de registre Modbus est pas une valeur acceptée.

6-Series Test

Général

L'adaptateur Macurco MRS-485 convertit le signal analogique 4-20 mA à partir de détecteurs Macurco de type Série 6 à un signal numérique pour une utilisation avec les systèmes adressables multipoints. Les procédures de test Série 6 peuvent être utilisées pour assurer que le MRS-485 accepte la sortie 4-20 mA pour les communications Modbus. Tous les détecteurs de la série 6 sont étalonnés en usine et 100% testé pour un fonctionnement correct. Les unités effectuent également un autotest automatique régulier pendant le fonctionnement normal. Si l'appareil détecte une tension incorrecte ou un composant inutilisable, il sera par défaut en mode d'erreur. Dans ce mode d'erreur, les relais de ventilateur et alarme sera activée, la sortie 4-20 mA ira à 24 mA, l'appareil affichera le code d'erreur et le sirène émettra un bip par intermittence.

Test de fonctionnement

Normalement, ce sera le seul test requis pour les détecteurs Série 6 et est la méthode recommandée pour tester l'unité ou des unités après l'installation. Vérifiez que la DEL d'opération est allumé en permanence. Si non, ne procédez pas à des tests. Si l'appareil est en mode d'erreur, contacter votre représentant local ou le représentant du service technique Macurco pour des informations sur la résolution du problème.

1. Retirez la vis dans le milieu de la couverture du détecteur Série 6.
2. Retirer le capot avant.
3. Observez la lumière DEL sur la face avant des détecteurs Série 6.
4. Si la lumière est verte solide passez à l'étape 6.
5. Si la lumière est éteinte ou clignote vert, reportez-vous à la section générale ci-dessus.
6. Trouvez le commutateur étiqueté ENTRER / TEST sur le côté gauche de la carte de circuit imprimé. Appuyez sur l'interrupteur de test une fois.
7. Le détecteur Série 6 commencera un test de cycle:
 - a. L'affichage progresse à travers le BUZ (Buzzer Test) Art (test de relais d'alarme), Garde (test de relais de ventilateur), puis de 42t (4-20 de test de sortie mA).
 - b. Assurez-vous que les paramètres sont « on » ou non désactivé « diS ».
 - c. Pendant les 10 premières secondes du cycle de test, l'écran affichera BUZ et déclenchera le sirène.
 - d. Le relais d'alarme sera fermé, donc tous les périphériques connectés à ce relais seront testé.
 - e. Le relais de ventilateur sera activé pour la prochaine minute du test, si les circuits de ventilation sont câblés d'une manière normale, le ventilateur devrait fonctionner.
 - f. La sortie 4-20 mA sera ensuite montée en puissance de 4 à 16 mA au cours des 130 prochaines secondes du test, si le circuit est câblé dans la manière normale, le système d'automatisation du panneau de commande ou d'un bâtiment doit répondre.
 - g. À la fin du cycle d'essai, la lumière devient verte et reste allumé (fonctionnement normal), le ventilateur et le relais d'alarme sera en mode veille et la sortie 4-20 mA sera de retour à 4 mA (dans l'air propre).
8. Lorsque le test est terminé, réassembler l'unité ou des unités.

Test d'opération manuelle

Cette option permet à l'utilisateur la possibilité d'ouvrir manuellement un test individuel de chaque relais, la sortie analogique et la réponse du capteur de gaz. De la mode de fonctionnement normal, appuyez le bouton Suivant 3 fois pour accéder au mode de Test (TST). Appuyez sur la touche Entrée une fois pour entrer dans le menu de test. Appuyez sur le bouton Suivant pour faire défiler les quatre options de test et appuyez sur Entrée pour lancer le test sélectionné. Notez que si le relais ou une sortie 4-20 mA a été désactivé, la sélection de test ne sera pas affichée dans le menu de test.

Art - essai de relais d'alarme, 10 secondes

FrT - Test relais Fan, 60 secondes

42t - 420 test de boucle, 25 secondes

ENTRETIEN

Le MRS-485 n'a pas besoin d'entretien régulier. Tout entretien et réparation des produits fabriqués par Macurco doivent être effectuées à l'usine de fabrication Macurco appropriée. Macurco ne sanctionne pas d'installations de réparation de tiers.



AVERTISSEMENT

Ne démontez pas l'unité ou de tenter de réparer ou de modifier tout composant de cet instrument. Cet instrument ne contient aucune pièce réparable par l'utilisateur, et la substitution des composants peut nuire à la performance du produit et **entraîner des maladies ou la mort**.

ATTENTION

Éviter l'utilisation de produits de nettoyage, abrasifs et d'autres solvants organiques. Ces matériaux peuvent rayer définitivement les surfaces et endommager les étiquettes DEL ou boîtier de l'appareil.

Nettoyage

Nettoyage des surfaces externes est mieux réalisé à l'aide d'un chiffon humide avec un détergent ou un savon doux. Utilisez un aspirateur avec une brosse douce pour enlever la poussière ou la contamination. Ne pas souffler sur le capteur avec de l'air comprimé.

GARANTIE LIMITÉE DES PRODUITS DE DETECTION DE GAZ FIXE MACURCO

Macurco garantie l'adaplateur MRS-485 sera exempt de défauts de matériaux et de fabrication pour une période de deux (2) ans à compter de la date de fabrication (indiqué sur la couverture du MRS-485), à condition qu'il soit entretenu et utilisé conformément aux instructions Macurco et / ou des recommandations. Si un composant est défectueux pendant la période de garantie, il sera remplacé ou réparé gratuitement, si l'appareil est retourné en conformité avec les instructions ci-dessous. Cette garantie ne s'applique pas aux unités qui ont été modifiées ou dont la réparation été tenté, ou qui ont été soumis à des abus, accidentelle ou non. La garantie ci-dessus remplace tout autre garanti exprès, obligations ou responsabilités. **LES GARANTIES DE QUALITÉ MARCHANDE ET D'ADAPTATION A PARTICULIER OBJECTIF EST LIMITÉE À UNE PÉRIODE DE DEUX (2) ans** suivant la date d'achat. Macurco ne sera pas responsable de toute dommages directs ou indirects par violation de la présente ou de toute autre garantie, expresse ou implicite, découlant de, ou liée à l'utilisation de le dit détecteur de gaz. Fabricant ou la responsabilité de son représentant, est limitée au remplacement, ou à la réparation comme indiqué ci-dessus. Le seul et exclusif recours de l'acheteur est le retour de la marchandise et le remboursement du prix, ou de la réparation et du remplacement de biens ou de pièces non conformes.

Fabriqué par Aerionics, Inc.

Sioux Falls, SD

Courriel: info@aerionicsinc.com

Téléphone: 1- 877-367-7891

Rev 06.29.2015

© Aerionics 2015. Tous droits réservés.

Macurco est une marque d'Aerionics, Inc.

The logo for Macurco Gas Detection features the words "GAS DETECTION" in a white, sans-serif font inside a black rectangular box. Below this box, the brand name "Macurco" is written in a large, bold, black, stylized script font.