

Macurco™ Hydrogen Sulfide Detector TX-6-HS

MACURCO
GAS DETECTION



Detector, Controller and Transducer

Hydrogen Sulfide Detection and Control

The Macurco TX-6-HS is a low voltage, dual relay Hydrogen Sulfide (H₂S) detector, controller and transducer. The TX-6-HS has selectable 4-20 mA output, buzzer and digital display options. It is an electronic detection system used to measure the concentration of H₂S and provide feedback and automatic exhaust fan control to help reduce H₂S concentrations in refineries, pulp and paper mills, waste disposal or other commercial applications. The TX-6-HS is a low level meter capable of displaying from 0-50 ppm of Hydrogen Sulfide.

Selectable options include:

- Fan relay actuation: selectable from 2 to 20 ppm H₂S
- Output: Fan relay, Alarm relay and 4-20mA current loop
- Controls: Digital display (0-50 ppm), buzzer, fan delay, fan minimum runtime

Installation

- Mounts on a standard 4" x 4" electrical box
- 5 A SPDT fan relay controls valves, louvers or exhaust fans
- 0.5 A N.O. or N.C alarm relay connects to warning devices or control panels
- 4-20mA current loop - compatible with the Macurco DVP-120 Control Panel
- Factory calibrated

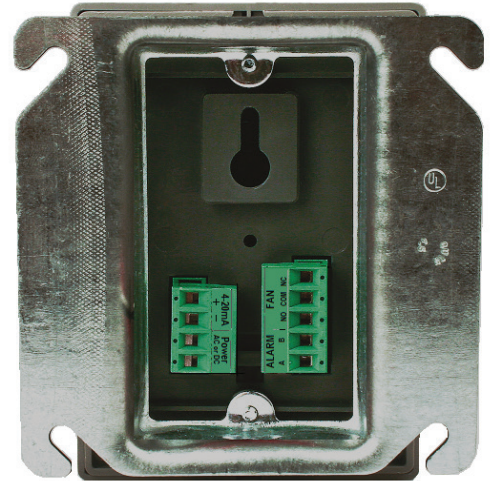
Other Features

- Supervised system design: detector problem will cause the fan & alarm relay to activate
- Optional calibration kit allows the TX-6-HS to be field tested and calibrated
- ETL Listed to UL 61010-1, CAN/CSA C22.2 No 61010-1



TX-6-HS Specifications

- Power: 3 W (max) from 12 to 24 VAC or 12 to 32 VDC
- Current @ 24 VDC: 75 mA in alarm, 50 mA fan relay on and 23 mA stand by
- Shipping Weight: 1 pound (0.45 kg)
- Size: 4 1/2 x 4 x 2 1/8 in. (11.4 X 10.2 X 5.4 cm)
- Color: Dark gray
- Connections: plugs/terminals
- Mounting box: (not included) 4x4 electric
- Fan relay: 5 A, 240 VAC, pilot duty, SPDT, latching or non-latching
- Fan relay actuation: selectable at OFF, 2, 3, 4, 5, 6, 7, 8 (default), 9, 10, 11, 12, 13, 14, 15, 16, 17, 18, 19, 20 ppm
- Fan Delay Settings of 0, 1, 3 (default), 5 and 10 minutes
- Fan Minimum Runtime settings are OFF (default), 3, 5, 10 or 15 minutes
- Alarm relay: 0.5A 120 V, 60 VA
- Alarm relay actuation: selectable N.O. default or N.C.
- Alarm relay settings: OFF, 5, 10, 15, 20 (default), 25, 30, 35, 40, 45, 50 ppm H₂S
- Current Loop, 4-20 mA for 0-50 ppm H₂S
- Operating Environment: 0°F to 125° F (-18°C to 52°C), 10 to 90% RH non-condensing

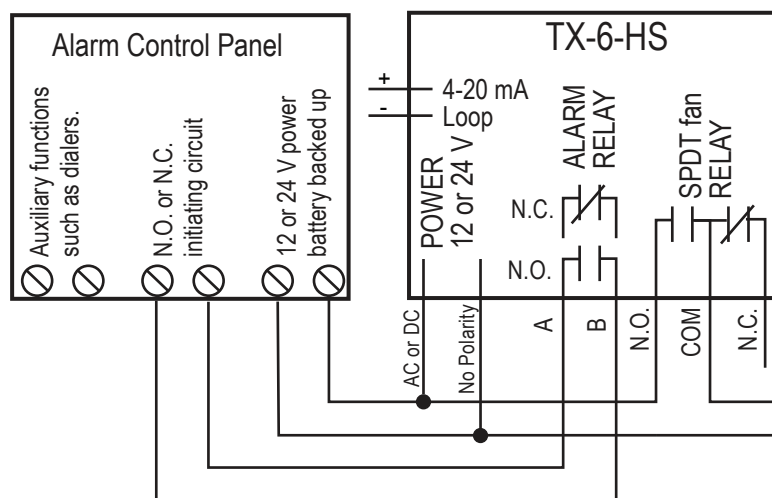


TX-6-HS Rear View

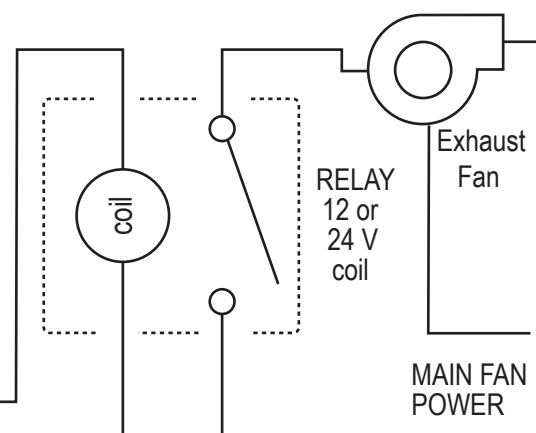
Location

A TX-6-HS is normally mounted low in the room on a wall or column one foot above the floor in a central area where air movement is generally good. Use the same spacing as for smoke detectors, 30-foot centers, 900 square feet per detector (465 sq. meters). The coverage depends on air movement within the room or facility. Extra detectors may be needed near any areas where people work or where the air is stagnant. The TX-6-HS mounts on a 4x4 electrical box supplied by the contractor. Do not install the TX-6-HS inside another box unless it has good air flow through it. Do NOT mount the TX-6-HS where the normal ambient temperature is below 0°F or exceeds 125°F (below -18°C or above 52°C).

TYPICAL CONNECTION OF TX-6-HS



TYPICAL COVERAGE 900 SQUARE FEET



Made in the U.S.A. with US and imported materials

© Aerionics 2015. All rights reserved.
Macurco is a trademark of Aerionics, Inc.

